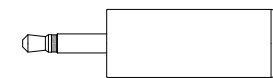
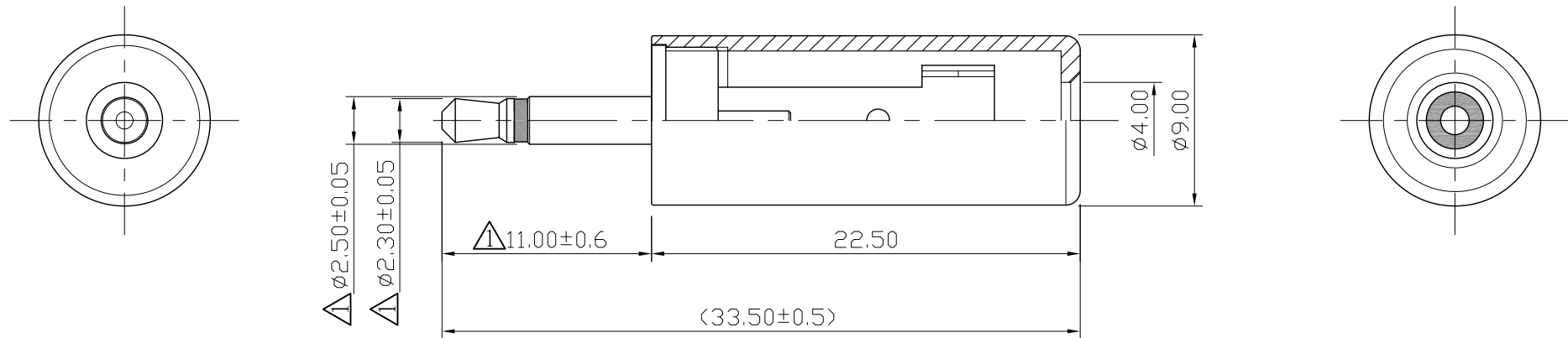



| No. | DATE         | DESCRIPTION          | REV |
|-----|--------------|----------------------|-----|
| △   | 2019. 07. 10 | Drawing revised 圖面修正 | A   |

REMARK : RoHS REQUIREMENT APPLIED  
(符合RoHS)



S 1 : 1

|     |             |      |           |                        |                |  |  |  |                                      |
|-----|-------------|------|-----------|------------------------|----------------|--|--|--|--------------------------------------|
| 7   | shell       | 1    | aluminum  | clear anodic treatment | APSL0002AL-CAT | DIMENSIONS ARE IN<br>MILLIMETERS<br><br>UNLESS OTHERWISE PECIFIED<br>TOLERANCES<br>(一般公差)<br>0.5~6 = ±0.2<br>>6~30 = ±0.4<br>>30~120 = ±0.6<br>>120~315 = ±1<br>>315~1000 = ±1.6<br>ANGLES(角度) = ±5° | CHECKED  |  雅鈦企業有限公司<br>Aec Connectors Co., Ltd. |                                      |
| 6   | clip        | 1    | brass     | gold                   | APCL0001BR-G   |  |  |  | DRAWN<br><i>Chad</i>                 |
| 5   | ring        | 1    | brass     | gold                   | APRG0001BR-G   |  | TITLE<br>AUDIO PLUG                                |  |                                      |
| 4   | insulator   | 1    | POM       | black                  | APIR0004PM     |  | DATE<br>2014. 09. 15                               |  | DRAWING NO.<br>AP2.5-271ATG-Mono-4.0 |
| 3   | body        | 1    | brass     | gold                   | APBY0003BR-G   |  | FILE NO.<br>DRAWING\AUDIO\AP\AP2.5-271ATG-Mono-4.0 |  |                                      |
| 2   | insulator   | 1    | POM       | black                  | APIR0001PM     |  |  |  |                                      |
| 1   | contact pin | 1    | brass     | gold                   | APCP0002BR-G   |  |  |  |                                      |
| NO. | Description | Unit | Materials | Finish                 | Drawing No.    | SCALE  | 3 : 1  | UNIT   | MM                                   |