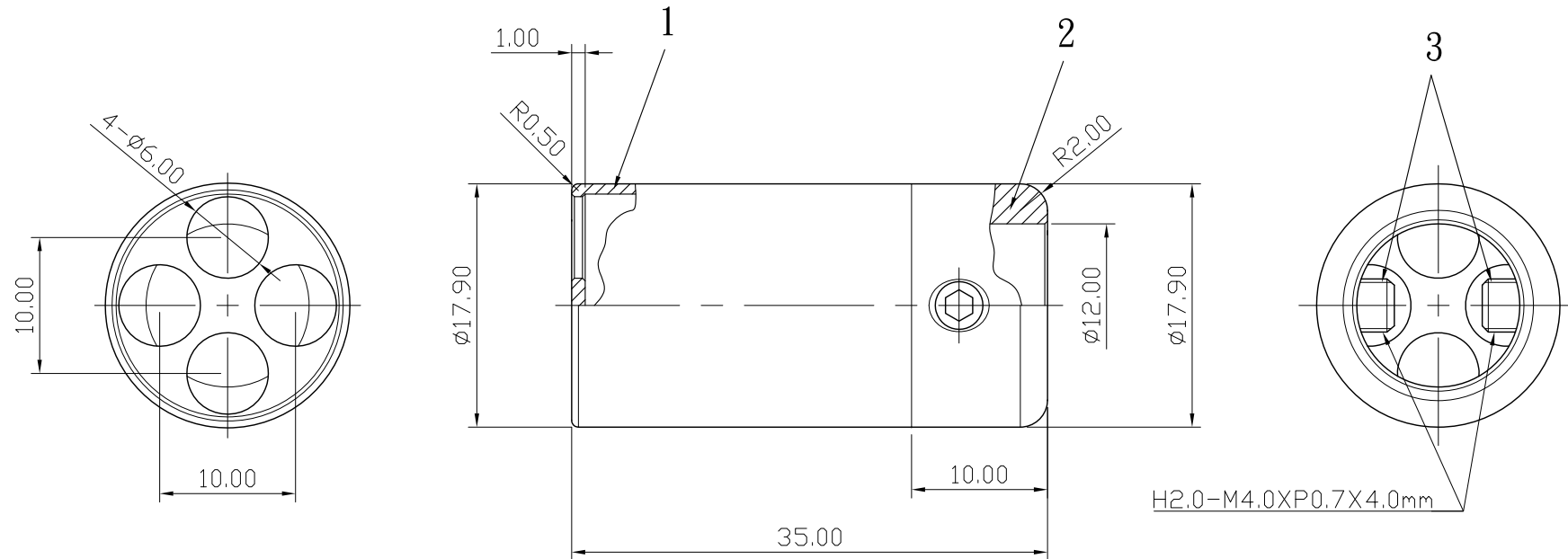



REMARK : RoHS REQUIREMENT APPLIED
(符合RoHS)



S 1 : 1

-						DIMENSIONS ARE IN MILLIMETERS UNLESS OTHERWISE SPECIFIED TOLERANCES (一般公差) 0.5~6 = ±0.2 >6~30 = ±0.4 >30~120 = ±0.6 >120~315 = ±1 >315~1000 = ±1.6 ANGLES(角度) = ±5°	CHECKED	 雅鈦企業有限公司 Aec Connectors Co., Ltd.	
-									TITLE
3	screw	2	iron	nickel	SCREW-204N-M4XP0.7X4.0mm			DRAWN	DRAWING NO.
2	sleeve	1	aluminum	black anodic treatment				<i>Chad</i>	CS-320BKAT-FH6.0X4-CH12.0
1	body	1	aluminum	black anodic treatment			DATE	FILE NO. DRAWING\AUDIO\CS\CS-320BKAT-FH6.0X4-CH12.0	
NO.	Description	Unit	Materials	Finish	Drawing No.	SCALE	2 : 1	UNIT	MM
							2016. 05. 27		