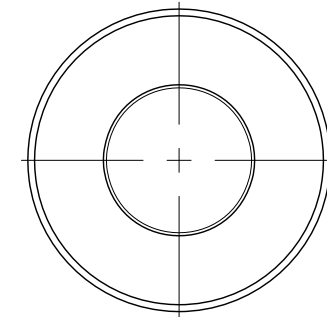
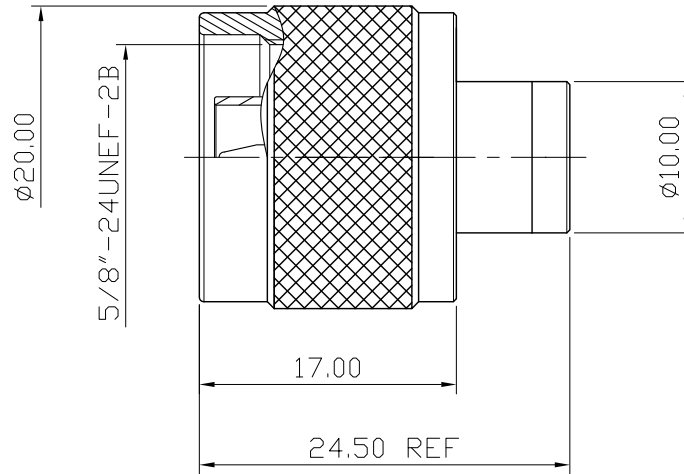
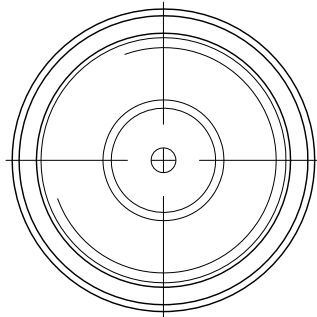
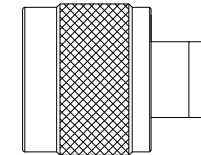


No.	DATE	DESCRIPTION	REV	REMARK : RoHS REQUIREMENT APPLIED (符合RoHS)	DATE	DRAWING NO.
-----	------	-------------	-----	---	------	-------------



Electricals:

1. Impedance : 50 Ohms
2. Frequency Range : DC~18 GHz
3. V.S.W.R. : 1.1:1 max. @DC~8GHz
1.2:1 max. @8~12GHz
1.25:1 max. @12~18GHz
4. Power Rating : 2 Watt average @25°C



S 1 : 1

-	cover	1	brass	nickel	
-	solder tab	1	brass	none	
-	body	1	brass	nickel	
-	resistor	1	none	none	
-	contact pin	1	brass	gold(3u")	
-	insulator	1	PTFE	none	
-	C ring	1	brass	none	
-	gasket	1	silicone	red	
-	shell	1	brass	nickel	
NO.	Description	Unit	Materials	Finish	Drawing No.

DIMENSIONS ARE IN MILLIMETERS		
UNLESS OTHERWISE SPECIFIED TOLERANCES (一般公差)		
0.5~6	= ±0.2	
>6~30	= ±0.4	
>30~120	= ±0.6	
>120~315	= ±1	
>315~1000	= ±1.6	
ANGLES(角度) = ±5°		
SCALE	2 : 1	UNIT MM

CHECKED	
DRAWN	Jordan
DATE	2016. 06. 27

 雅鈦企業有限公司 Aec Connectors Co., Ltd.	TITLE	N MALE TERMINATOR
	DRAWING NO.	NS-1038NTG-SH0015
	FILE NO.	DRAWING\RFNS\NS-1038NTG-SH0015