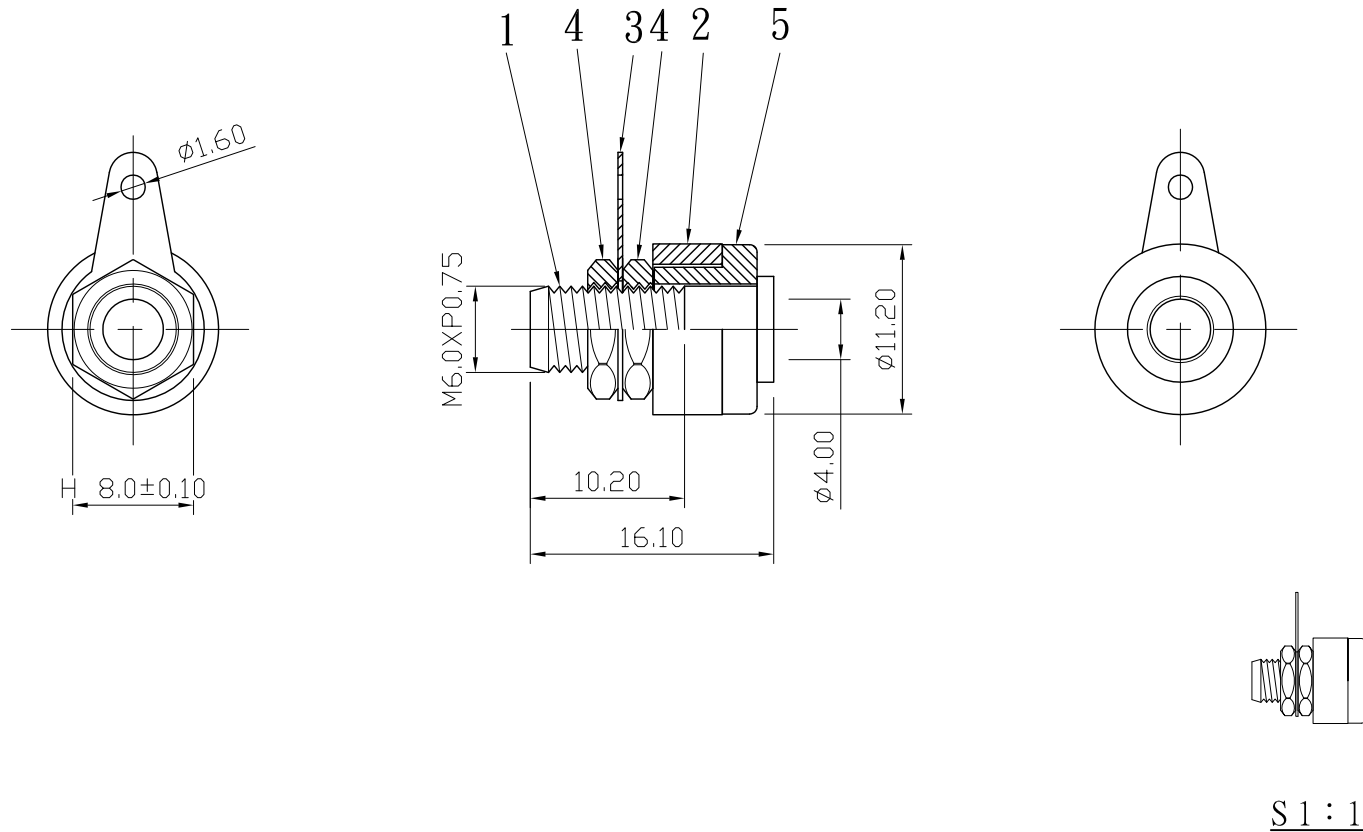



No.	DATE	DESCRIPTION	REV
△	2009. 06. 23	Drawing to renew 圖面更新	A

REMARK : RoHS REQUIREMENT APPLIED
(符合RoHS)



7						DIMENSIONS ARE IN MILLIMETERS UNLESS OTHERWISE SPECIFIED TOLERANCES (一般公差) 0.5~6 = ±0.2 >6~30 = ±0.4 >30~120 = ±0.6 >120~315 = ±1 >315~1000 = ±1.6 ANGLES(角度) = ±5°	CHECKED	 雅鈦企業有限公司 Aec Connectors Co., Ltd.			
6					DRAWN		TITLE				
5	washer	1	plastic	red/black/blue yellow/green			<i>Lala</i>		BINDING POST		
4	nut	2	iron	nickel				DRAWING NO.			
3	solder tad	1	bronze	nickel				BI-358RD/BK/BE/YW/GNPLN-10mm			
2	washer	1	plastic	red/black/blue yellow/green				FILE NO. DRAWING\AUDIO\BI\BI-358RD/BK/BE/YW/GNPLN-10mm			
1	body	1	brass	nickel							
NO.	Description	Unit	Materials	Finish	Drawing No.	SCALE	2 : 1	UNIT	MM	DATE	2007. 09. 12