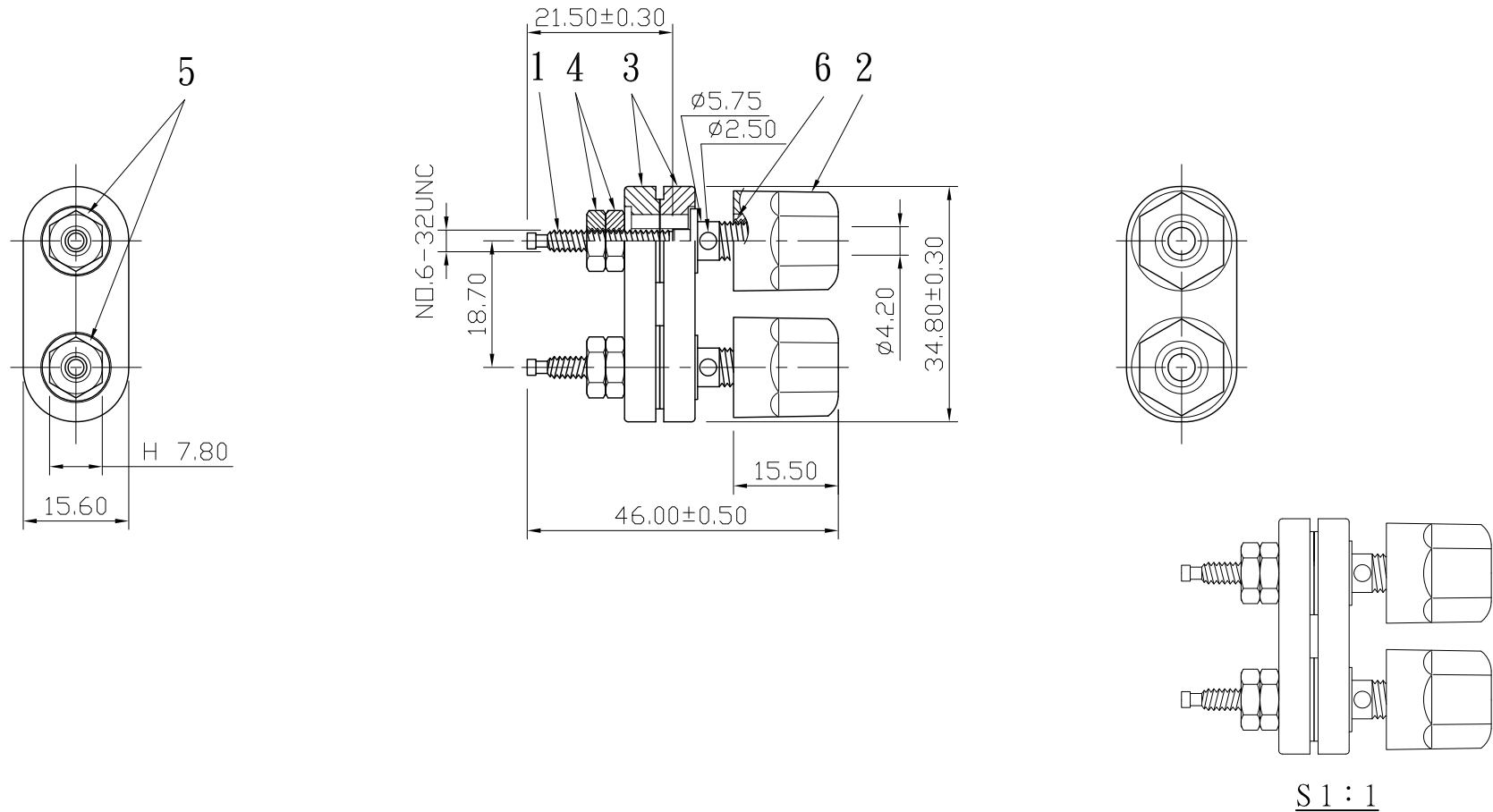



No.	DATE	DESCRIPTION	REV
△	2014. 06. 16	Drawing to renew (圖面更新)	A

REMARK : RoHS REQUIREMENT APPLIED
(符合RoHS)



7						DIMENSIONS ARE IN MILLIMETERS UNLESS OTHERWISE PECIFIED TOLERANCES (一般公差) 0.5~6 = ±0.2 >6~30 = ±0.4 >30~120 = ±0.6 >120~315 = ±1 >315~1000 = ±1.6 ANGLES(角度) = ±5°	CHECKED		
6	ferrule	2	brass	gold					
5	washer	2	brass	gold			DRAWN <i>Jim</i>		
4	nut	4	brass	gold					
3	bridge	2	plastic	red & black					
2	shell	2	plastic	red & black			DATE 2008. 01. 22		
1	body	2	brass	gold					
NO.	Description	Unit	Materials	Finish	Drawing No.	SCALE	1 : 1	UNIT	MM


雅鈦企業有限公司
 Aec Connectors Co., Ltd.

TITLE: **BINDING POST**

DRAWING NO.: **BI-354BK&RDPLG-BK&RD-20mm**

FILE NO. DRAWING\AUDIO\BI\BI-354BK&RDPLG-BK&RD-20mm