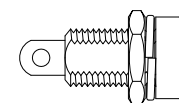
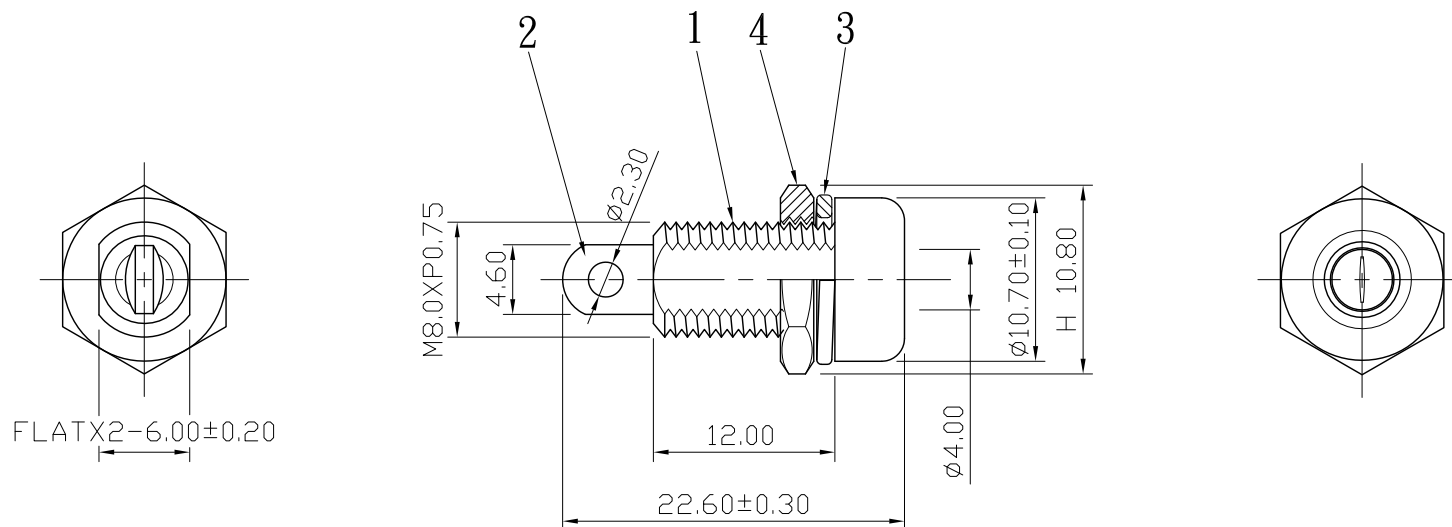



No.	DATE	DESCRIPTION	REV
△	2014. 12. 25	Drawing revised (圖面修正)	A

REMARK : RoHS REQUIREMENT APPLIED
(符合RoHS)



S 1 : 1

7					DIMENSIONS ARE IN MILLIMETERS UNLESS OTHERWISE PECIFIED TOLERANCES (一般公差) 0.5~6 = ± 0.2 >6~30 = ± 0.4 >30~120 = ± 0.6 >120~315 = ± 1 >315~1000 = ± 1.6 ANGLES(角度) = $\pm 5^\circ$	CHECKED	 雅鈦企業有限公司 Aec Connectors Co., Ltd.		
6				DRAWN		TITLE			
5						<i>Jim</i>	BINDING POST		
4	nut	1	iron	nickel		DATE	DRAWING NO.		
3	washer	1	iron	nickel		2007. 12. 10	BI-254RD/BK/BE/GNPLN-10mm		
2	solder pin	1	brass	nickel		FILE NO. DRAWING\AUDIO\BI\BI-254RD/BK/BE/GNPLN-10mm			
1	body	1	ABS	red/black/blue/green					
NO.	Description	Unit	Materials	Finish	Drawing No.	SCALE	2 : 1	UNIT	MM