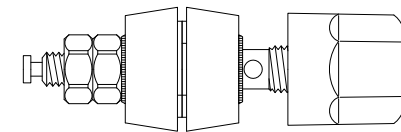
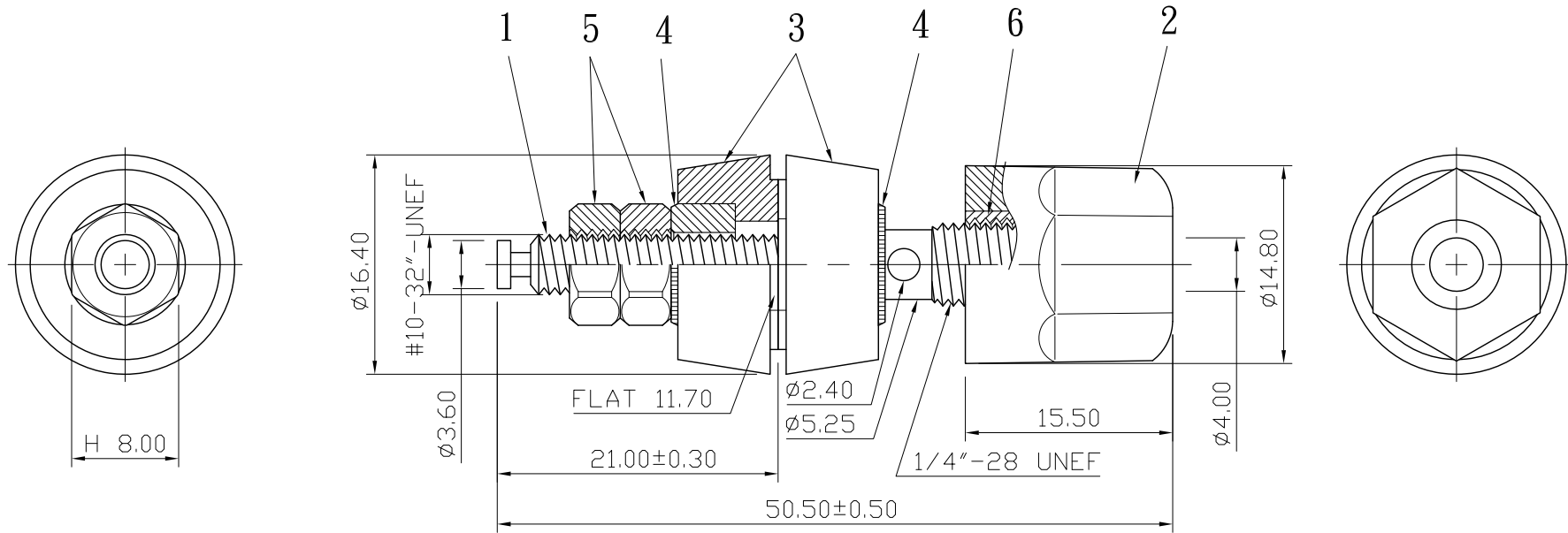



REMARK : RoHS REQUIREMENT APPLIED
(符合RoHS)



S 1 : 1

NO.	Description	Unit	Materials	Finish	Drawing No.	SCALE	2 : 1	UNIT	MM	CHECKED	DATE	FILE NO.		
7						DIMENSIONS ARE IN MILLIMETERS UNLESS OTHERWISE SPECIFIED TOLERANCES (一般公差) 0.5~6 = ±0.2 >6~30 = ±0.4 >30~120 = ±0.6 >120~315 = ±1 >315~1000 = ±1.6 ANGLES(角度) = ±5°								
6	ferrule	1	brass	nickel										
5	nut	2	iron	nickel										
4	ring	2	brass	nickel										
3	washer	2	plastic	red/black										
2	shell	1	plastic	red/black										
1	body	1	brass	nickel										
											 雅鈦企業有限公司 Aec Connectors Co., Ltd.			
											TITLE BINDING POST			
											DRAWING NO. BI-252RD/BKPLN-20mm			
											DATE 2008. 01. 28			
											FILE NO. DRAWING\AUDIO\BI\BI-252RD/BKPLN-20mm			