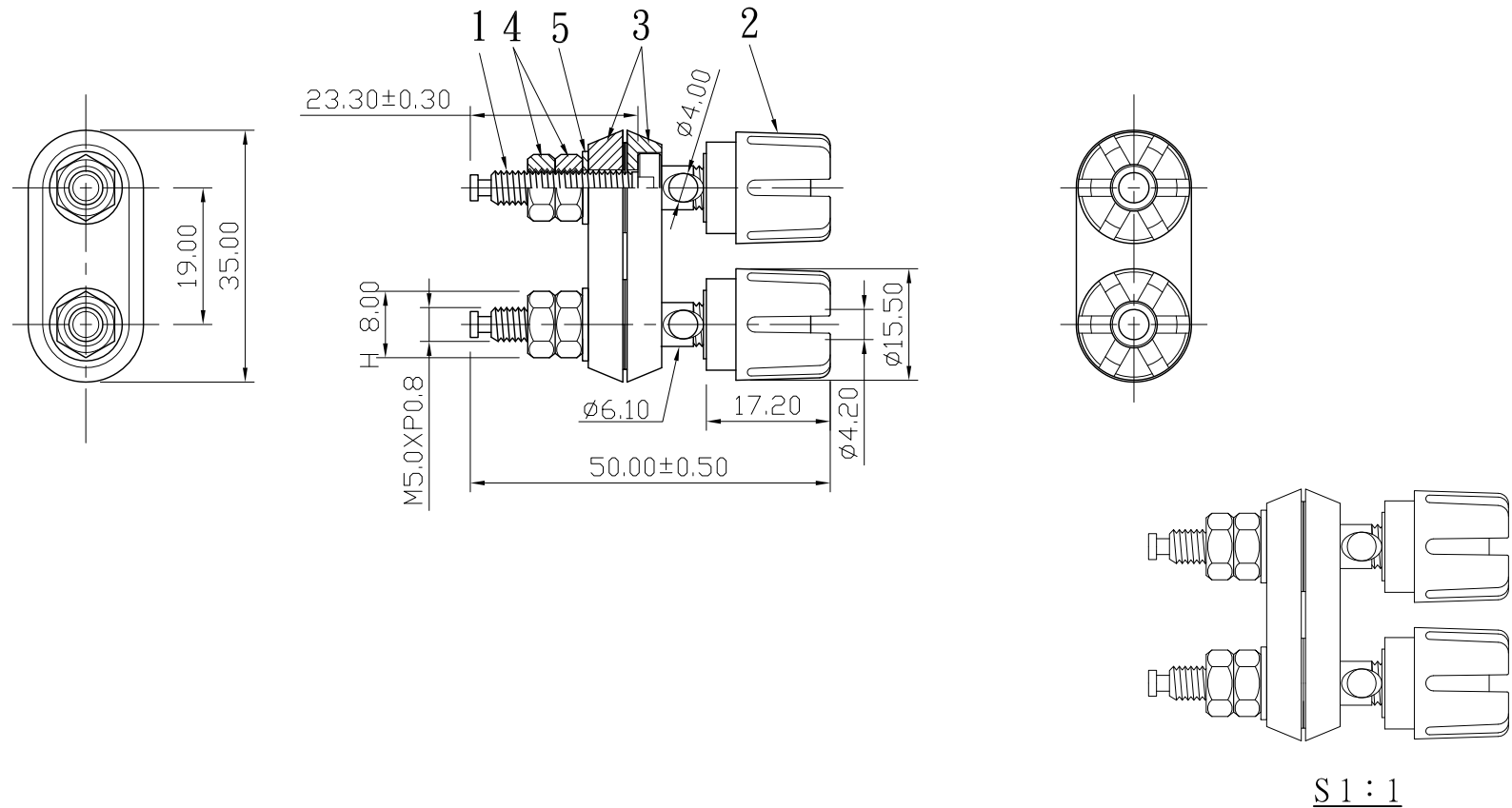



REMARK : RoHS REQUIREMENT APPLIED
(符合RoHS)



NO.	Description	Unit	Materials	Finish	Drawing No.	SCALE	1 : 1	UNIT	MM	CHECKED	DATE	FILE NO.		
7						DIMENSIONS ARE IN MILLIMETERS UNLESS OTHERWISE PECIFIED TOLERANCES (一般公差) 0.5~6 = ±0.2 >6~30 = ±0.4 >30~120 = ±0.6 >120~315 = ±1 >315~1000 = ±1.6 ANGLES(角度) = ±5°					 雅鈦企業有限公司 Aec Connectors Co., Ltd.	TITLE	BINDING POST	
6												DRAWN	<i>Jim</i>	DRAWING NO.
5	washer	2	brass	nickel										
4	nut	4	brass	nickel										
3	bridge	2	plastic	black										
2	shell	2	plastic	black & red										
1	body	2	brass	nickel										
											2011. 05. 26	DRAWING\AUDIO\BINBI-251BKPLN-BK&RD-20mm		