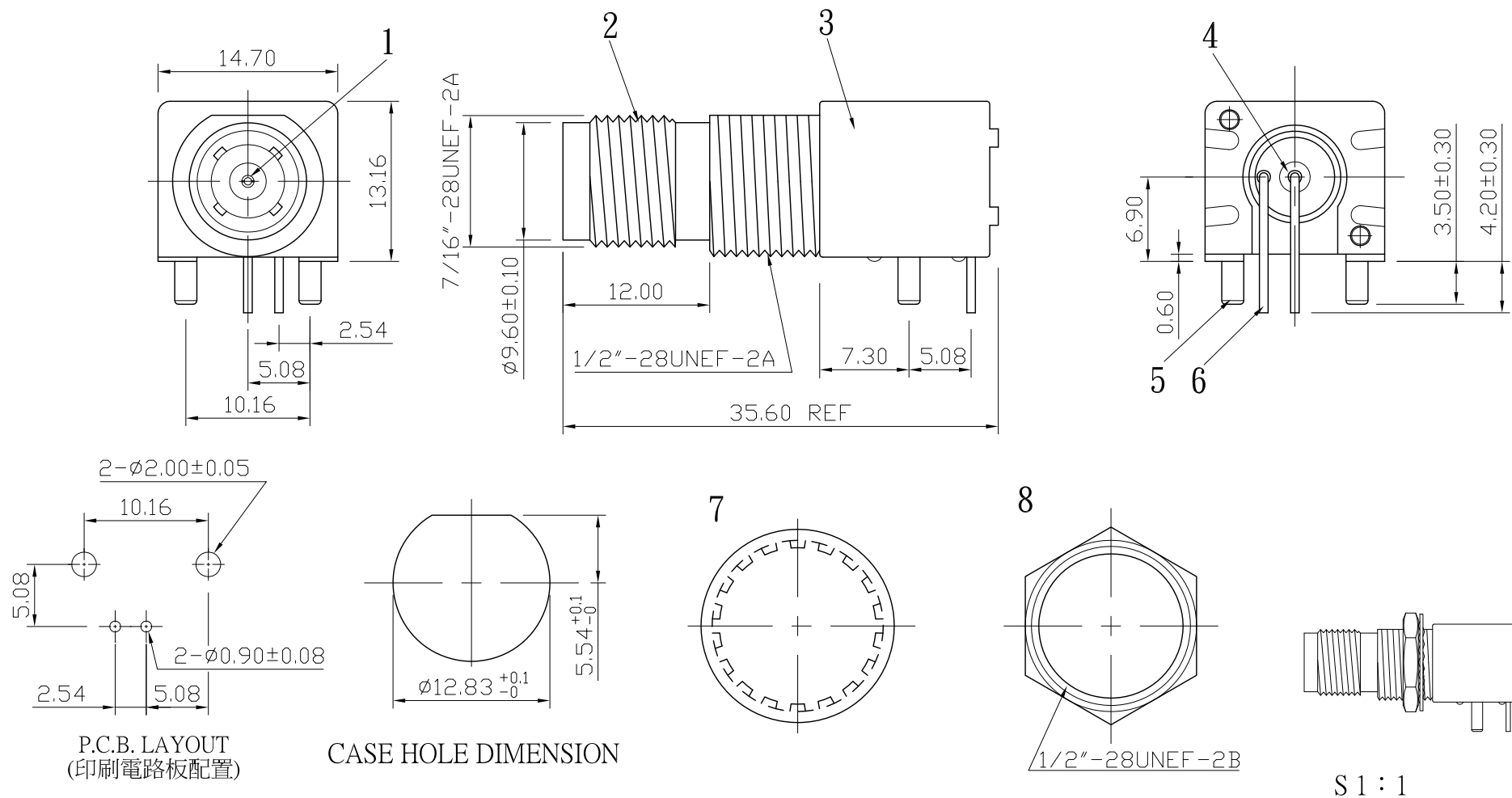


No.	DATE	DESCRIPTION	REV
△	2019. 01. 23	Drawing to renew 圖面更新	A

REMARK : RoHS REQUIREMENT APPLIED
(符合RoHS)



8	nut	1	brass	nickel	
7	washer	1	steel	nickel	
6	solder tail	1	copper	tin	
5	mounting post	2	brass	tin	
4	insulator	1	PE-606	white	
3	housing	1	PBT	white	
2	body	1	zinc alloy	nickel	
1	contact pin	1	phosphor bronze	gold	
NO.	Description	Unit	Materials	Finish	Drawing No.

DIMENSIONS ARE IN MILLIMETERS		
UNLESS OTHERWISE SPECIFIED TOLERANCES (一般公差)		
0.5~6	= ±0.2	
>6~30	= ±0.4	
>30~120	= ±0.6	
>120~315	= ±1	
>315~1000	= ±1.6	
ANGLES(角度) = ±5°		
SCALE	2 : 1	UNIT
		MM

CHECKED
DRAWN <i>Chad</i>
DATE 2019. 01. 23

 雅鈦企業有限公司 Aec Connectors Co., Ltd.	TITLE TNC R/A JACK PCB MOUNT
	DRAWING NO. TC-2051NEG-RA0025
	FILE NO. DRAWINGRFTCTC-2051NEG-RA0025