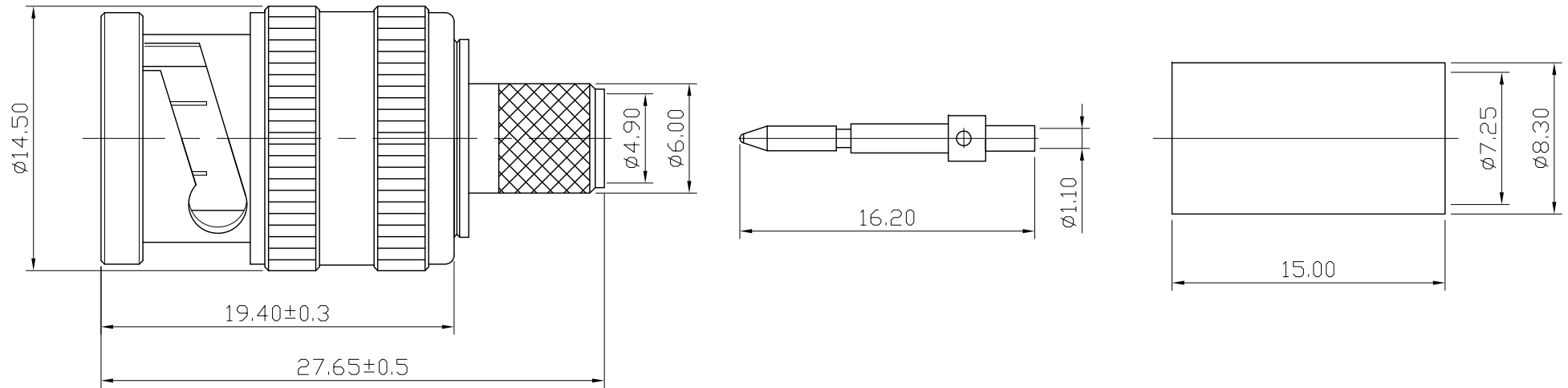
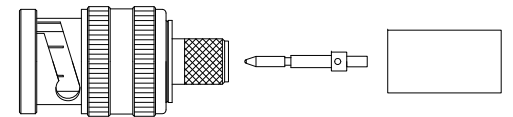


REMARK : RoHS REQUIREMENT APPLIED  
(符合RoHS)



Electricals:

1. Impedance : 75 Ohms
2. Frequency Range : 0~12 GHz
3. Return Loss : -15dB min @5~1485 MHz  
 -10dB min @1485~3000 MHz  
 -7dB min @3000~6000 MHz  
 -4dB min @6000~12000 MHz



S 1 : 1

10	ferrule	1	brass	nickel	
9	contact pin	1	brass	gold	
8	washer	1	brass	nickel	
7	spring	1	sk-5	nickel	
6	c-ring	1	ss41	none	
5	gasket	1	rubber	red	
4	washer	1	brass	nickel	
3	insulator a	1	PTFE	none	
2	body	1	brass	nickel	
1	shell	1	brass	nickel	
NO.	Description	Unit	Materials	Finish	Drawing No.

DIMENSIONS ARE IN MILLIMETERS  
 UNLESS OTHERWISE SPECIFIED TOLERANCES  
 (一般公差)  
 0.5~6 = ±0.2  
 >6~30 = ±0.4  
 >30~120 = ±0.6  
 >120~315 = ±1  
 >315~1000 = ±1.6  
 ANGLES(角度) = ±5°

CHECKED  
 DRAWN  
*Chad*  
 DATE  
 2019. 02. 12

 雅鈦企業有限公司  
 Aec Connectors Co., Ltd.

TITLE BNC STRAIGHT PLUG CRIMP FOR BELDEN 4694R CABLE, 75 Ohm

DRAWING NO. BC-2002NTG-SC7417

FILE NO. DRAWING\RF\BCBC-2002NTG-SC7417