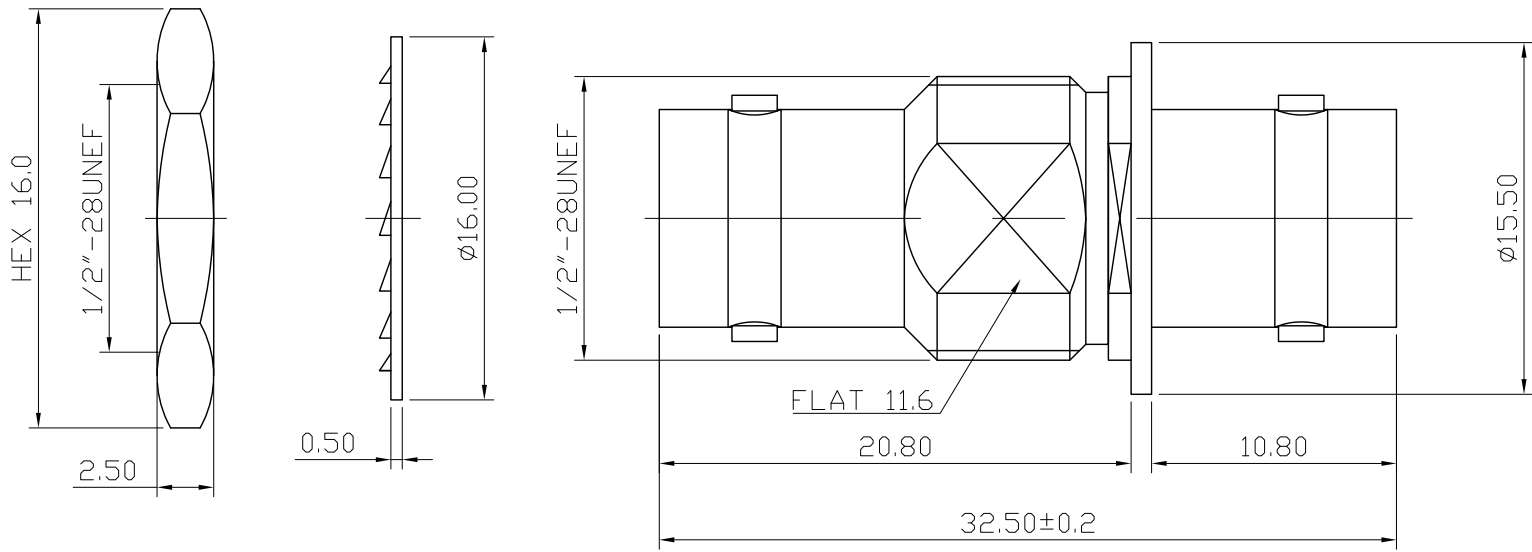
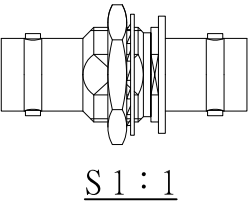



REMARK : RoHS REQUIREMENT APPLIED
(符合RoHS)



Electricals:

- 1. Impedance : 75 ohms
- 2. Frequency Range : DC~12 GHz
- 3. V.S.W.R. : 1.2 Max. @DC~6GHz
1.4 Max. @6~12GHz
- 4. RETURN LOSS : -20dB Min. @DC~6GHz
-15dB Min. @6~12GHz



7	body c	1	brass	nickel	DIMENSIONS ARE IN MILLIMETERS UNLESS OTHERWISE SPECIFIED TOLERANCES (一般公差) 0.5~6 = ±0.2 >6~30 = ±0.4 >30~120 = ±0.6 >120~315 = ±1 >315~1000 = ±1.6 ANGLES(角度) = ±5°	CHECKED DRAWN <i>Chad</i> DATE 2019. 01. 14	 雅鈦企業有限公司 Aec Connectors Co., Ltd.			
6	contact pin	1	brass	gold						
5	insulator	1	PTFE	white						
4	bady b	1	POM	black						
3	body a	1	brass	nickel						
2	washer	1	brass	nickel						
1	nut	1	brass	nickel						
NO.	Description	Unit	Materials	Finish	Drawing No.	SCALE	3 : 1	UNIT	MM	FILE NO. DRAWING\RFADAPTOR\ADT-1258S-BC27TA-BC27TA

TITLE BNC JACK TO BNC JACK STRAIGHT ADAPTOR
DRAWING NO. ADT-1258S-BC27TA-BC27TA