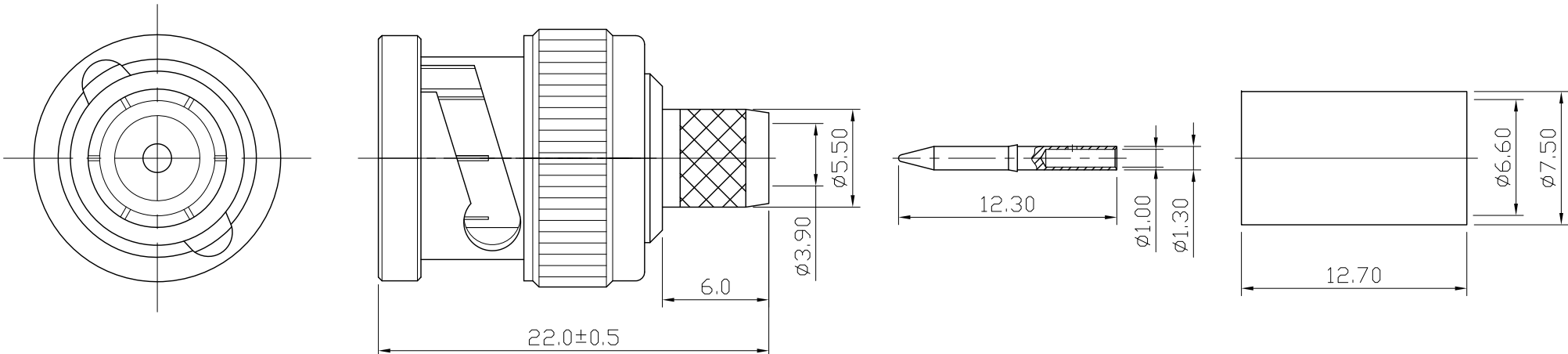
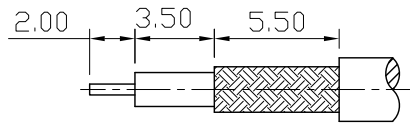


REMARK : RoHS REQUIREMENT APPLIED
(符合RoHS)

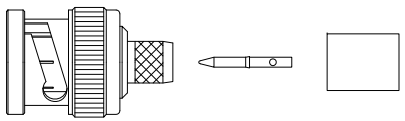


Electricals:

1. Impedance: 75 ohms
2. Frequency Range: 0~6 GHz
3. Working Voltage: 500V rms min.
4. Dielectric Withstanding Voltage: 1,500 VRMS min.
5. VSWR: 1.2 max.



RECOMMENDED CABLE STRIPPING DIM'S
(建議剝線尺寸)



S 1 : 1


-	ferrule	1	brass	nickel	
-	contact pin	1	brass	gold	
-	washer	1	ss41	nickel	
-	spring	1	sk-5	nickel	
-	c ring	1	ss41	nickel	
-	gasket	1	rubber	red	
-	insulator	1	PTFE	none	
-	body	1	brass	nickel	
-	SHELL	1	brass	nickel	
NO.	Description	Unit	Materials	Finish	Drawing No.

DIMENSIONS ARE IN MILLIMETERS
UNLESS OTHERWISE SPECIFIED
TOLERANCES
(一般公差)
0.5~6 = ±0.2
>6~30 = ±0.4
>30~120 = ±0.6
>120~315 = ±1
>315~1000 = ±1.6
ANGLES(角度) = ±5°

SCALE	3 : 1	UNIT	MM
-------	--------------	------	----

CHECKED

DRAWN
Chad
DATE
2013. 05. 31



雅鈦企業有限公司
Aec Connectors Co., Ltd.

TITLE BNC STRAIGHT PLUG CRIMP FOR RG-59U,75 ohm

DRAWING NO. BC-1001ANTG-SC1217

FILE NO. DRAWING\RF\BC\BC-1001ANTG-SC1217