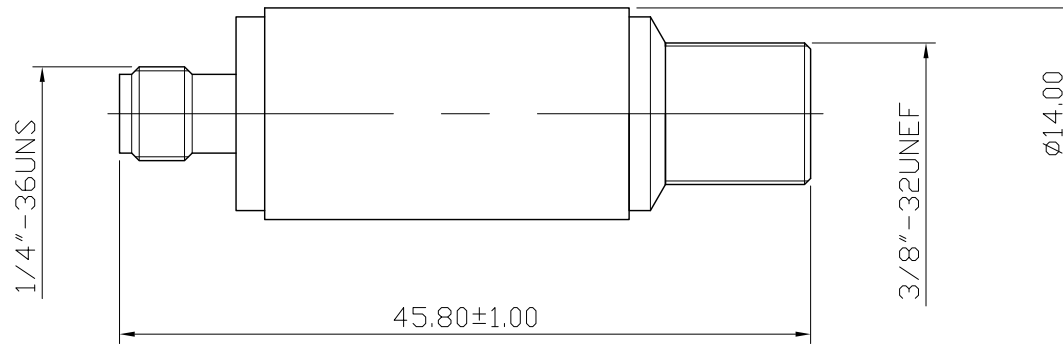


No.	DATE	DESCRIPTION	REV	REMARK : RoHS REQUIREMENT APPLIED (符合RoHS)	DATE	DRAWING NO.
-	2018. 07. 19	Material revised (材質修正)	A			



Electrical Characteristic :
Frequency Range : DC~3GHz
VSWR : 1.2:1 max.
Insertion Loss : 5.7±0.5dB
Input Power : 1 Watt



S 1 : 1

11	resistor	2	film	none	
10	screw	2	brass	nickel	
9	PCB board	1	FR4	none	
8	body-f	1	brass	nickel	
7	insulator-f	1	PTFE	nature	
6	contact pin-f	1	bellium copper	gold (3u")	
5	shell	1	brass	nickel	
4	body	1	brass	nickel	
3	contact pin-sma	1	bellium copper	gold (3u")	
2	insulator-sma	1	PTFE	nature	
1	body-sma	1	stainless steel	passivate	
NO.	Description	Unit	Materials	Finish	Drawing No.

DIMENSIONS ARE IN MILLIMETERS
UNLESS OTHERWISE PECIFIED TOLERANCES (一般公差)
0.5~6 = ±0.2
>6~30 = ±0.4
>30~120 = ±0.6
>120~315 = ±1
>315~1000 = ±1.6
ANGLES(角度) = ±5°

CHECKED
DRAWN
Jordan
DATE
2015. 07. 07



雅鈦企業有限公司
Aec Connectors Co., Ltd.

TITLE SMA JACK 50 Ohm TO F JACK 75 Ohm
IMPEDANCE MATCHING PAD

DRAWING NO.
MP-1001S-SA25TA-FS27TA

FILE NO. DRAWINGR\FMPMP-1001S-SA25TA-FS27TA

SCALE 2 : 1 UNIT MM