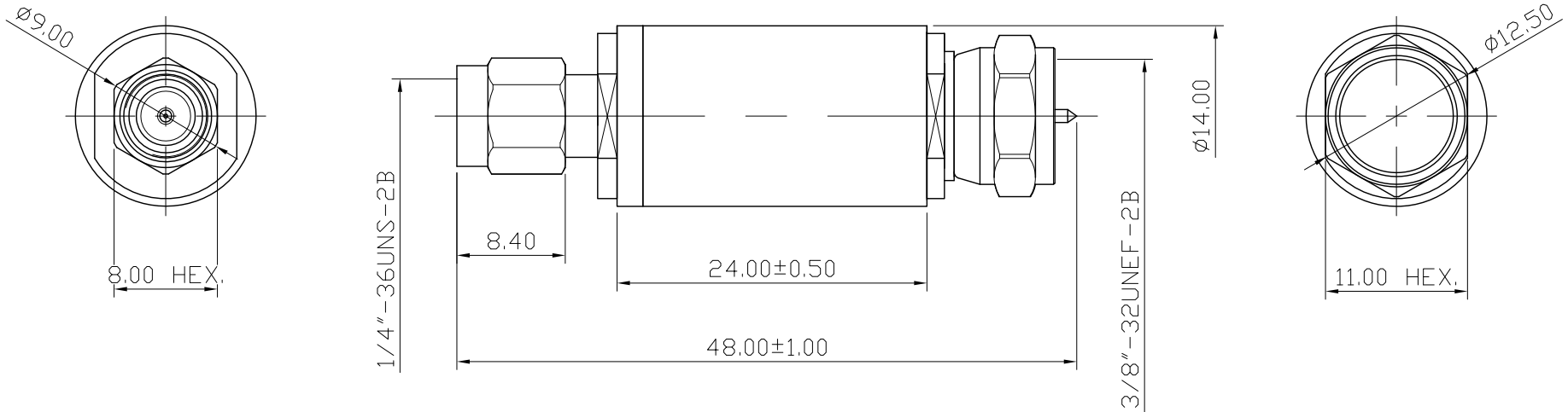
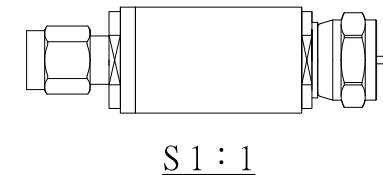



No.	DATE	DESCRIPTION	REV	REMARK : RoHS REQUIREMENT APPLIED (符合RoHS)	DATE	DRAWING NO.
-----	------	-------------	-----	---	------	-------------



15	resistor	2	film	tin	
14	screw	2	brass	nickel	
13	pcb board	1	FR4	tin	
12	shell-f	1	brass	nickel	
11	body-f	1	brass	nickel	
10	insulator-f	1	PTFE	nature	
9	contact pin-f	1	brass	gold (3u")	
8	shell	1	brass	nickel	
7	body	1	brass	nickel	
6	contact pin-sma	1	brass	gold (3u")	
5	insulator-sma	1	PTFE	nature	
4	body-sma	1	brass	nickel	
3	c ring	1	stainless steel	passivate	
2	gasket	1	silicone	red	
1	shell-sma	1	stainless steel	passivate	
NO.	Description	Unit	Materials	Finish	Drawing No.

Electrical Characteristic :  
Frequency Range : DC ~ 3GHz  
VSWR : 1.25:1 max.  
Insertion Loss : 5.7±0.5dB



DIMENSIONS ARE IN MILLIMETERS  UNLESS OTHERWISE SPECIFIED TOLERANCES (一般公差) 0.5~6 = ±0.2 >6~30 = ±0.4 >30~120 = ±0.6 >120~315 = ±1 >315~1000 = ±1.6 ANGLES(角度) = ±5°	CHECKED	 <b>雅鈦企業有限公司</b> Aec Connectors Co., Ltd.
	DRAWN <i>Jordan</i>	
DATE 2018. 01. 10	DRAWING NO. MP-1001S-SA15TA-FS17TA	FILE NO. DRAWINGR\FMPMP-1001S-SA15TA-FS17TA
SCALE 2 : 1	UNIT MM	