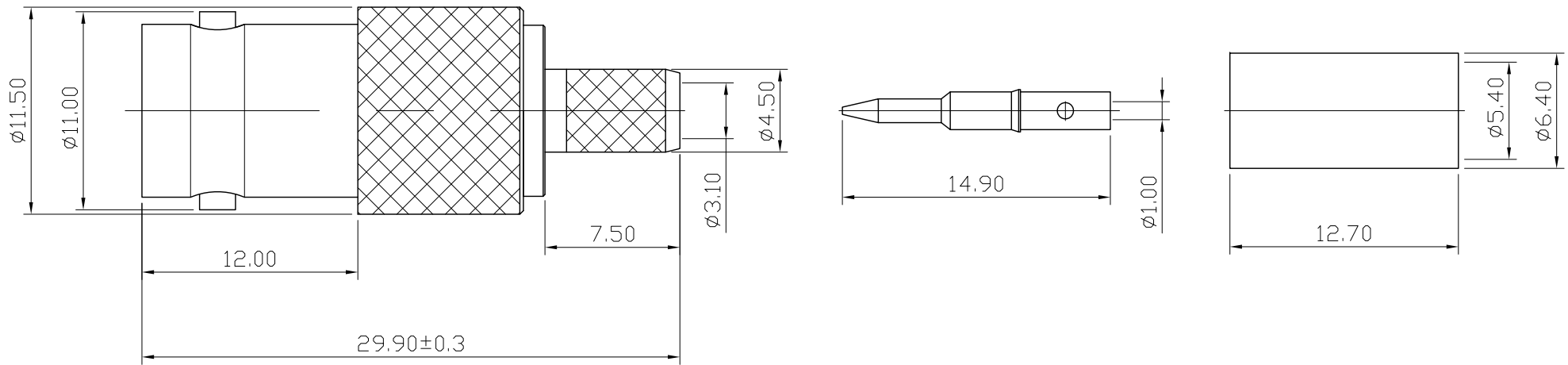
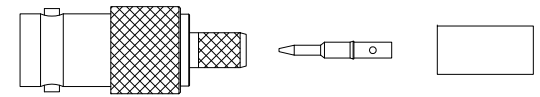


No.	DATE	DESCRIPTION	REV	REMARK : RoHS REQUIREMENT APPLIED (符合RoHS)	DATE	DRAWING NO.
-----	------	-------------	-----	---	------	-------------




Electricals:

1. Impedance : 50 Ohms
2. Frequency Range : 0~11 GHz
3. V.S.W.R. : 1.3 MAX @1.0 GHz
4. Working Voltage : 500V rms
5. Insulator Resistance : 5,000 MΩ



S 1 : 1

-						DIMENSIONS ARE IN MILLIMETERS UNLESS OTHERWISE SPECIFIED TOLERANCES (一般公差) 0.5~6 = ±0.2 >6~30 = ±0.4 >30~120 = ±0.6 >120~315 = ±1 >315~1000 = ±1.6 ANGLES(角度) = ±5°	CHECKED	 雅鈦企業有限公司 Aec Connectors Co., Ltd.	
-	ferrule	1	brass	nickel					DRAWN <i>Chad</i>
-	contact pin	1	brass	gold			DATE 2015. 05. 20		
-	barrel	1	brass	nickel					FILE NO. DRAWINGRFBBCBC-1025ANTG-SC1135
-	insulator	1	PTFE	none					
-	body	1	brass	nickel					
NO.	Description	Unit	Materials	Finish	Drawing No.	SCALE 3 : 1	UNIT	MM	