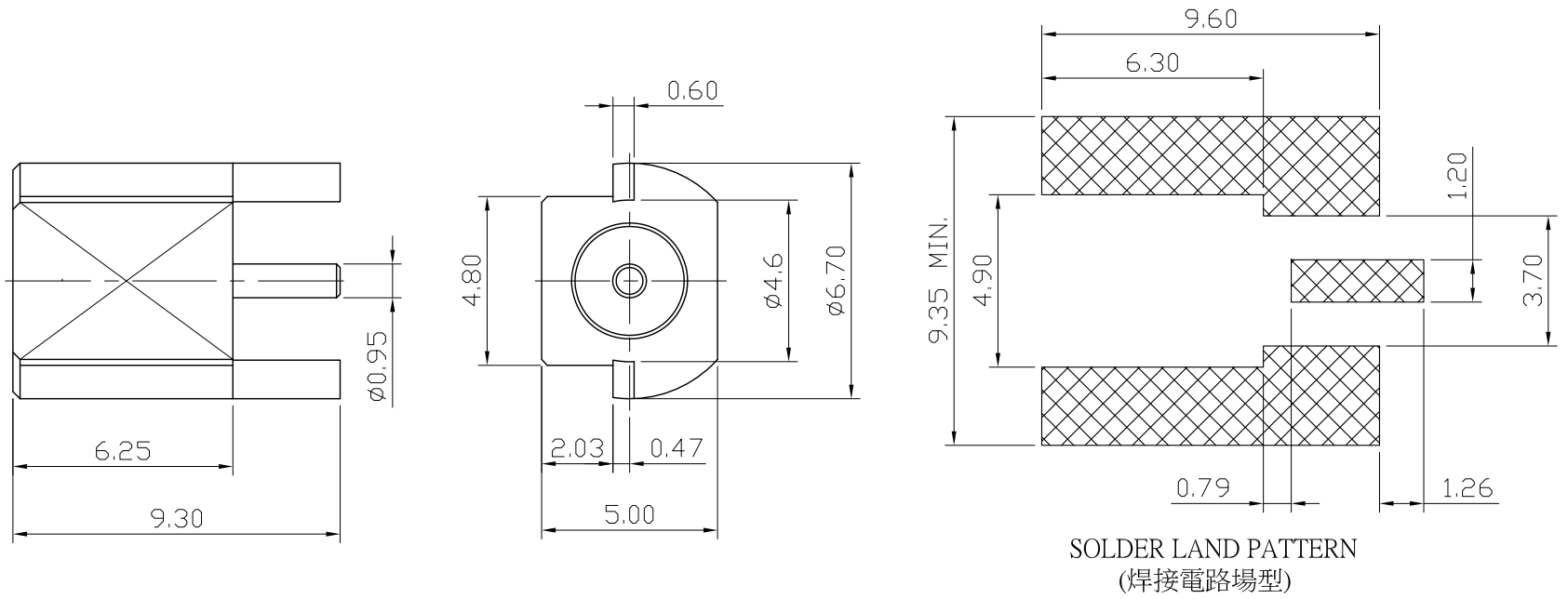
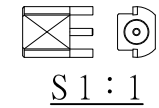



No.	DATE	DESCRIPTION	REV	REMARK : RoHS REQUIREMENT APPLIED (符合RoHS)	DATE	DRAWING NO.
-----	------	-------------	-----	---	------	-------------



Electricals:

1. Impedance : 50 ohms
2. Frequency Range : DC ~ 6.0 GHz
3. Working Voltage : 335V rms
4. Dielectric Withstanding Voltage : 1000 MΩ min.



-						DIMENSIONS ARE IN MILLIMETERS	CHECKED	 雅鈦企業有限公司 Aec Connectors Co., Ltd.
-								
-						0.5~6 = ±0.2	DRAWN <i>Chad</i>	TITLE MCX STRAIGHT JACK REVERSE END LAUNCH SMT , 50 Ohm
-	contact pin	1	brass	gold		>6~30 = ±0.4		DATE
-	insulator	1	PTFE	white		>30~120 = ±0.6	2015. 05. 21	FILE NO. DRAWINGR\FM\CX\MC-1015AGTG-SA0035
-	body	1	brass	gold		>120~315 = ±1		
-						>315~1000 = ±1.6		
NO.	Description	Unit	Materials	Finish	Drawing No.	SCALE 5 : 1	UNIT	MM