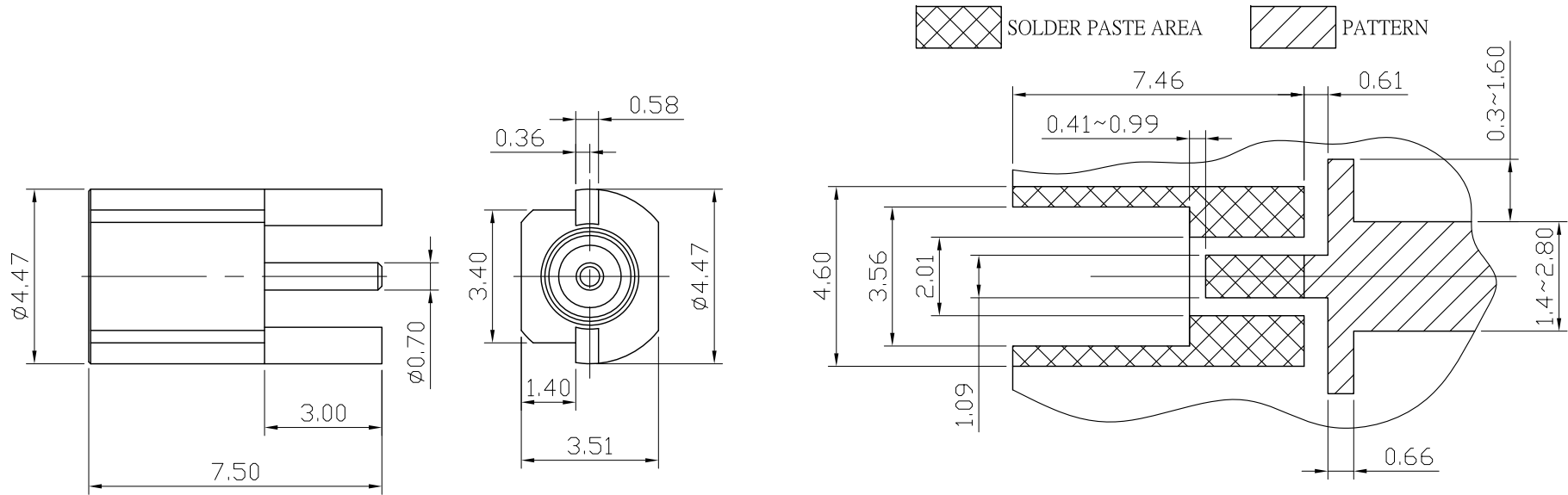


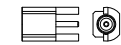
No.	DATE	DESCRIPTION	REV	REMARK : RoHS REQUIREMENT APPLIED (符合RoHS)	DATE	DRAWING NO.
-----	------	-------------	-----	---	------	-------------




SOLDERING PATTERN

Electricals:

1. Impedance : 50 Ohms
2. Frequency Range : DC ~ 6.0 GHz
3. Working Voltage : 170V rms.
4. Insulator Resistance : 1000 MΩ



S 1 : 1

-						DIMENSIONS ARE IN MILLIMETERS UNLESS OTHERWISE SPECIFIED TOLERANCES (一般公差) 0.5~6 = ±0.2 >6~30 = ±0.4 >30~120 = ±0.6 >120~315 = ±1 >315~1000 = ±1.6 ANGLES(角度) = ±5°	CHECKED	 雅鈦企業有限公司 Aec Connectors Co., Ltd.	
-					DRAWN <i>Chad</i>				
-							DATE 2014. 02. 11		TITLE MMCX STRAIGHT JACK REVERSE END LAUNCH SMT, 50 Ohm
-	insulator	1	PTFE	white			DRAWING NO. MX-1004AGTG-SA0035		
-	contact pin	1	brass	gold			FILE NO. DRAWINGRFRMXMX-1004AGTG-SA0035		
NO.	Description	Unit	Materials	Finish	Drawing No.	SCALE	6 : 1	UNIT	MM