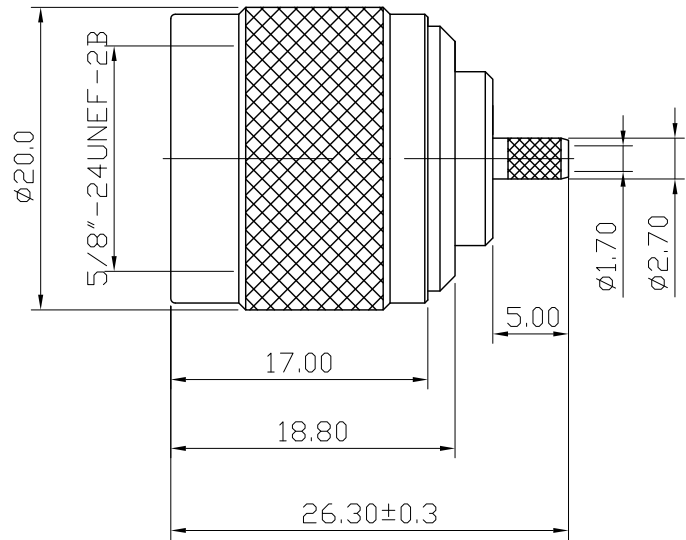
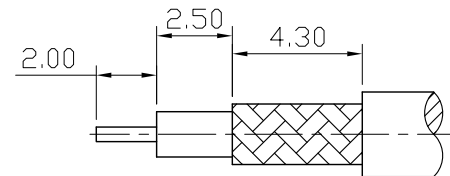
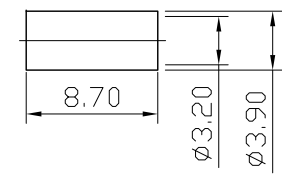
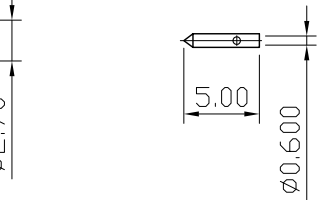


No.	DATE	DESCRIPTION	REV	REMARK : RoHS REQUIREMENT APPLIED (符合RoHS)	DATE	DRAWING NO.
-----	------	-------------	-----	---	------	-------------

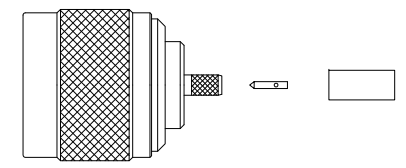


Electricals:

1. Impedance : 50 Ohms
2. Frequency Range : 0~11 GHz
3. V.S.W.R. : 1.3 MAX. @6 GHz
4. Working Voltage : 1,000V rms
5. Insulator Resistance : 5,000 MΩ



RECOMMENDED CABLE STRIPPING DIM'S
(建議剝線尺寸)



S 1 : 1

-	ferrule	1	brass	nickel	
-	contact pin b	1	brass	gold	
-	barrel	1	brass	nickel	
-	body b	1	brass	nickel	
-	insulator a	1	PTFE	white	
-	c-ring	1	brass	none	
-	contact pin a	1	brass	gold	
-	gasket	1	silicone	red	
-	body a	1	brass	nickel	
-	shell	1	brass	nickel	
NO.	Description	Unit	Materials	Finish	Drawing No.

DIMENSIONS ARE IN MILLIMETERS
UNLESS OTHERWISE SPECIFIED TOLERANCES
(一般公差)
0.5~6 = ±0.2
>6~30 = ±0.4
>30~120 = ±0.6
>120~315 = ±1
>315~1000 = ±1.6
ANGLES(角度) = ±5°

CHECKED

DRAWN
Chad
DATE
2015. 05. 18



雅鈦企業有限公司
Aec Connectors Co., Ltd.

TITLE N STRAIGHT PLUG REVERSE CRIMP FOR RG174U,50 Ohm
DRAWING NO. NS-1001ANTG-SC1735
FILE NO. DRAWING\RFNS\NS-1001ANTG-SC1735