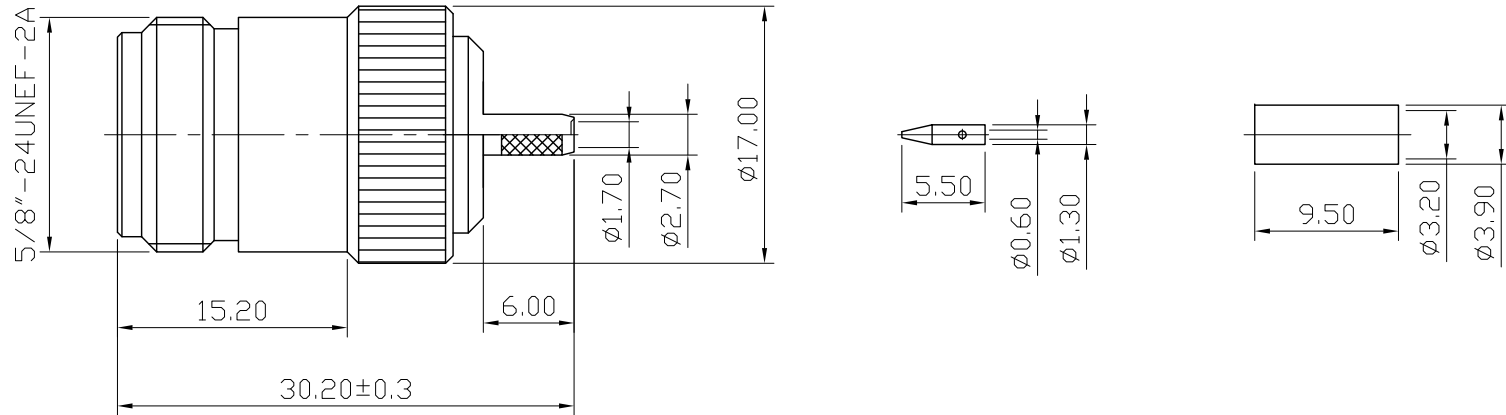
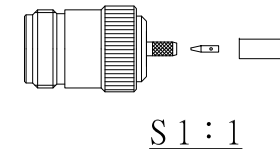
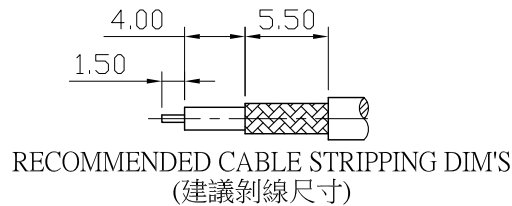



| | | | | | | |
|-----|------|-------------|-----|---|------|-------------|
| No. | DATE | DESCRIPTION | REV | REMARK : RoHS REQUIREMENT APPLIED (符合RoHS) | DATE | DRAWING NO. |
|-----|------|-------------|-----|---|------|-------------|



Electricals:

1. Impedance : 50 Ohms
2. Frequency Range : 0~11 GHz
3. V.S.W.R. : 1.3 MAX. @6.0 GHz
4. Working Voltage : 1,000V rms
5. Insulator Resistance : 5,000 MΩ



| | | | | | | | |
|-----|---------------|------|-----------|--------|---|---|---|
| - | ferrule | 1 | brass | nickel | DIMENSIONS ARE IN MILLIMETERS UNLESS OTHERWISE SPECIFIED TOLERANCES (一般公差) 0.5~6 = ±0.2 >6~30 = ±0.4 >30~120 = ±0.6 >120~315 = ±1 >315~1000 = ±1.6 ANGLES(角度) = ±5° | CHECKED |  雅鈦企業有限公司 Aec Connectors Co., Ltd. |
| - | contact pin b | 1 | brass | gold | | | |
| - | barrel | 1 | brass | nickel | | DATE 2016. 06. 11 | |
| - | contact pin a | 1 | brass | gold | | | |
| - | insulator | 1 | PTFE | none | | DRAWING NO. NS-1007ANTG-SC1735 | |
| - | washer | 1 | brass | nickel | | FILE NO. DRAWINGRFRNSNS-1007ANTG-SC1735 | |
| - | body | 1 | brass | nickel | | | |
| NO. | Description | Unit | Materials | Finish | | Drawing No. | |