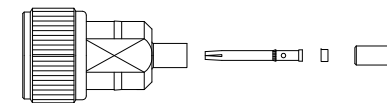
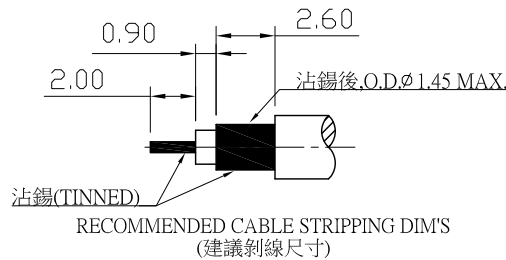
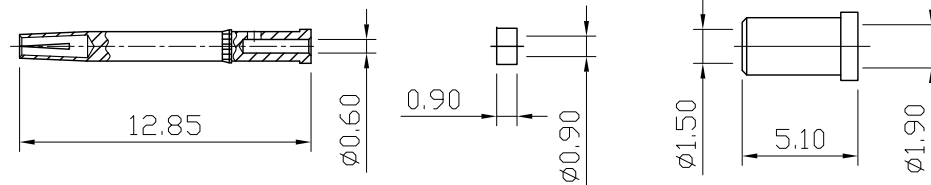
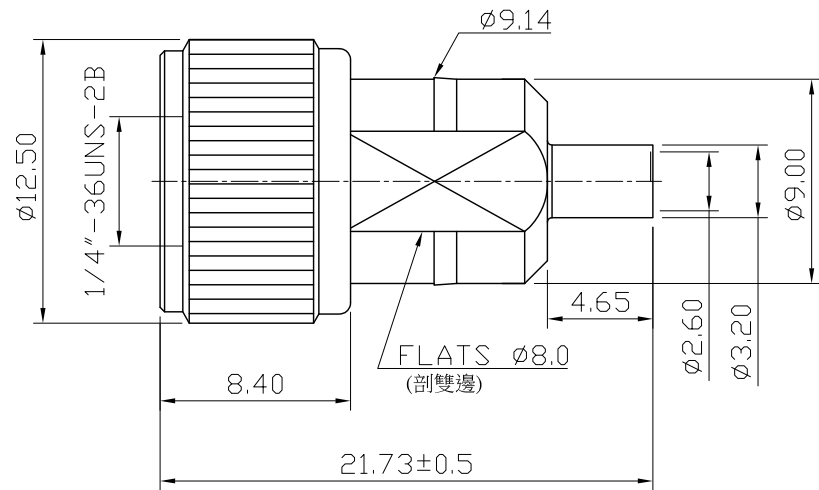



No.	DATE	DESCRIPTION	REV	REMARK : RoHS REQUIREMENT APPLIED (符合RoHS)	DATE	DRAWING NO.
-----	------	-------------	-----	---	------	-------------



S 1 : 1

NOTE:

1. 外殼扭力值需控管於480gf-cm~700gf-cm

8	sleeve	1	brass	nickel	SA10BR003A	DIMENSIONS ARE IN MILLIMETERS	CHECKED	 雅鈦企業有限公司 Aec Connectors Co., Ltd.
7	insulator b	1	PTFE	none	SA02TF039A			
6	contact pin	1	phosphor bronze	gold	SA03PB054A	UNLESS OTHERWISE SPECIFIED TOLERANCES (一般公差) 0.5~6 = ±0.2 >6~30 = ±0.4 >30~120 = ±0.6 >120~315 = ±1 >315~1000 = ±1.6 ANGLES(角度) = ±5°	DRAWN <i>Chad</i>	TITLE SMA STRAIGHT PLUG REVERSE CRIMP FOR RG-178U, 50 Ohm
5	insulator a	1	PTFE	none	SA02TF042A			DRAWING NO. SA-1022ANTG-SC1835
4	body	1	brass	nickel	SA01BR057A	SCALE 3 : 1 UNIT MM	DATE 2013. 10. 14	FILE NO. DRAWINGRFSMAISA-1022ANTG-SC1835
3	washer	1	SK-7	nickel	OT07SK023A			
2	gasket	1	silicone	black	OT12SL023A			
1	shell	1	brass	black chrome	SA05BR002A			
NO.	Description	Unit	Materials	Finish	Drawing No.			