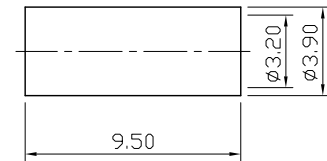
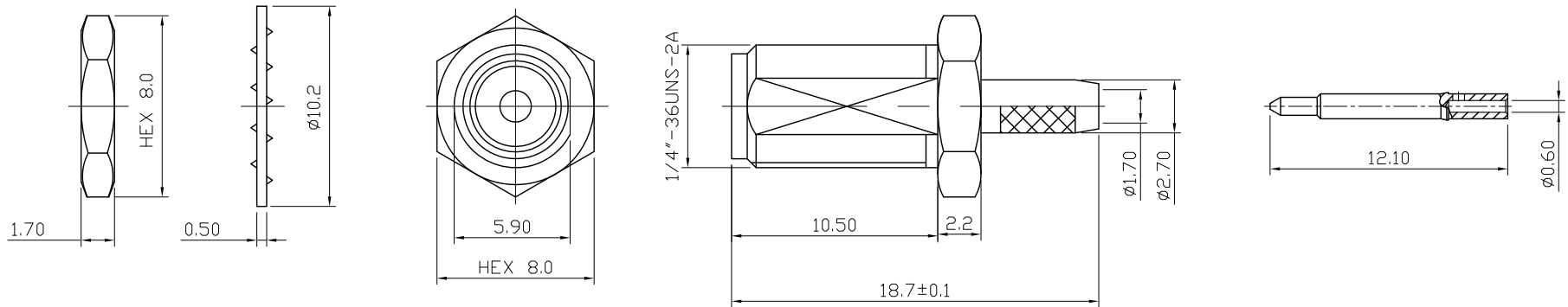
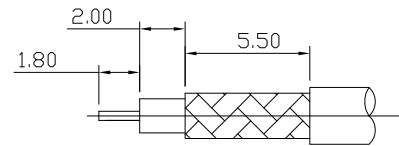


No.	DATE	DESCRIPTION	REV	REMARK : RoHS REQUIREMENT APPLIED (符合RoHS)	DATE	DRAWING NO.
-----	------	-------------	-----	---	------	-------------

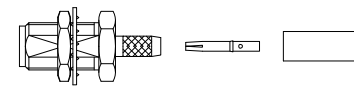


Electricals:


1. Impedance: 50 ohms
2. Frequency Range: DC~18.0 GHz
3. VSWR: 1.3 max @ 6GHz
4. Working Voltage: 750V rms min.
5. Dielectric Withstanding Voltage: 5000 MΩ min.



RECOMMENDED CABLE STRIPPING DIM'S
(建議剝線尺寸)



S 1 : 1

-	ferrule	1	brass	gold		DIMENSIONS ARE IN MILLIMETERS UNLESS OTHERWISE SPECIFIED TOLERANCES (一般公差) 0.5~6 = ±0.2 >6~30 = ±0.4 >30~120 = ±0.6 >120~315 = ±1 >315~1000 = ±1.6 ANGLES(角度) = ±5°	CHECKED DRAWN <i>Chad</i> DATE 2016.05.18	 雅鈦企業有限公司 Aec Connectors Co., Ltd.			
-	contact pin	1	brass	gold (3u")							
-	insulator	1	PTFE	none							
-	body	1	brass	gold							
-	wahser	1	brass	gold							
-	nut	1	brass	gold							
NO.	Description	Unit	Materials	Finish	Drawing No.	SCALE	3 : 1	UNIT	MM	FILE NO.	DRAWINGRFSMAISA-1007AGTG-SC1735
						TITLE	SMA JACK REVERSE STRAIGHT BULKHEAD CRIMP FOR RG-174U, 50 ohm		DRAWING NO.		SA-1007AGTG-SC1735