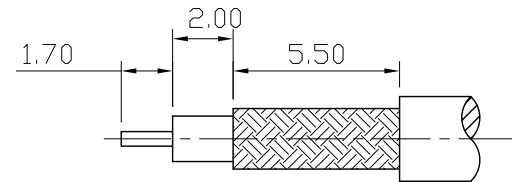
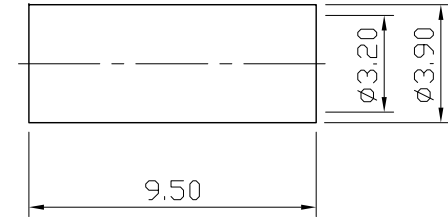
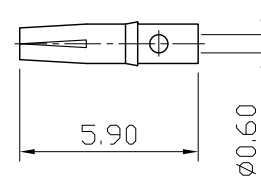
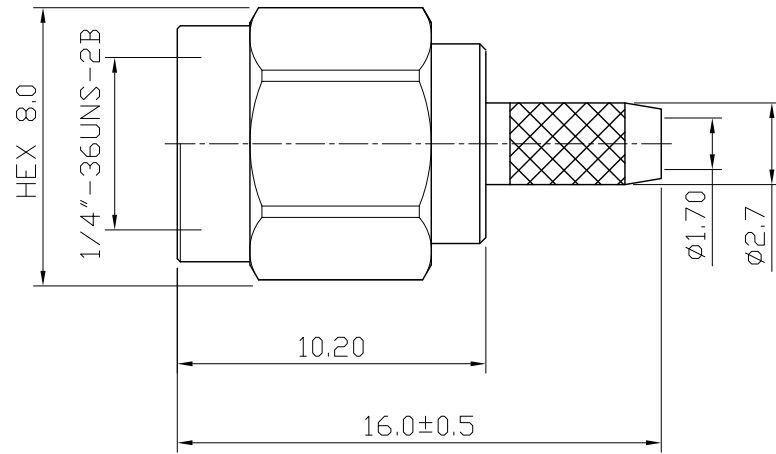
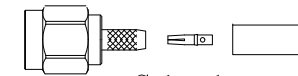


No.	DATE	DESCRIPTION	REV	REMARK : RoHS REQUIREMENT APPLIED (符合RoHS)	DATE	DRAWING NO.
-----	------	-------------	-----	---	------	-------------




RECOMMENDED CABLE STRIPPING DIM'S
(建議剝線尺寸)



S 1 : 1

Electricals:

1. Impedance: 50 ohms
2. Frequency Range: DC~18.0 GHz
3. VSWR: 1.3 max. @6 GHz
4. Dielectric Withstanding Voltage: 5000 MΩ min.

-	ferrule	1	brass	gold	DIMENSIONS ARE IN MILLIMETERS UNLESS OTHERWISE SPECIFIED TOLERANCES (一般公差) 0.5~6 = ±0.2 >6~30 = ±0.4 >30~120 = ±0.6 >120~315 = ±1 >315~1000 = ±1.6 ANGLES(角度) = ±5°	CHECKED	 雅鈦企業有限公司 Aec Connectors Co., Ltd.
-	contact pin	1	beryllium copper	gold (3u")			
-	body	1	brass	gold		DATE 2017. 11. 04	
-	insulator	1	PTFE	white		TITLE SMA STRAIGHT PLUG REVERSE CRIMP FOR RG-174U,50 ohm	
-	c ring	1	sus 304	none		DRAWING NO. SA-1001AGTG-SC1735	
-	gasket	1	silicone	red		FILE NO. DRAWING R/F SMA/SA-1001AGTG-SC1735	
-	shell	1	brass	gold			
NO.	Description	Unit	Materials	Finish		Drawing No.	