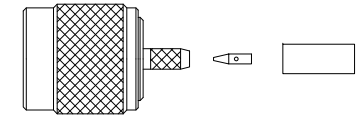
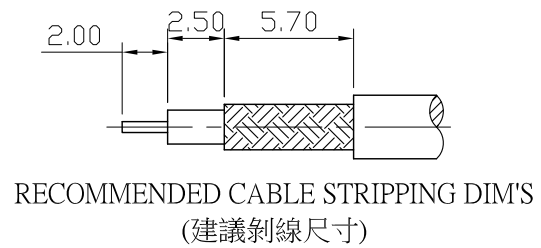
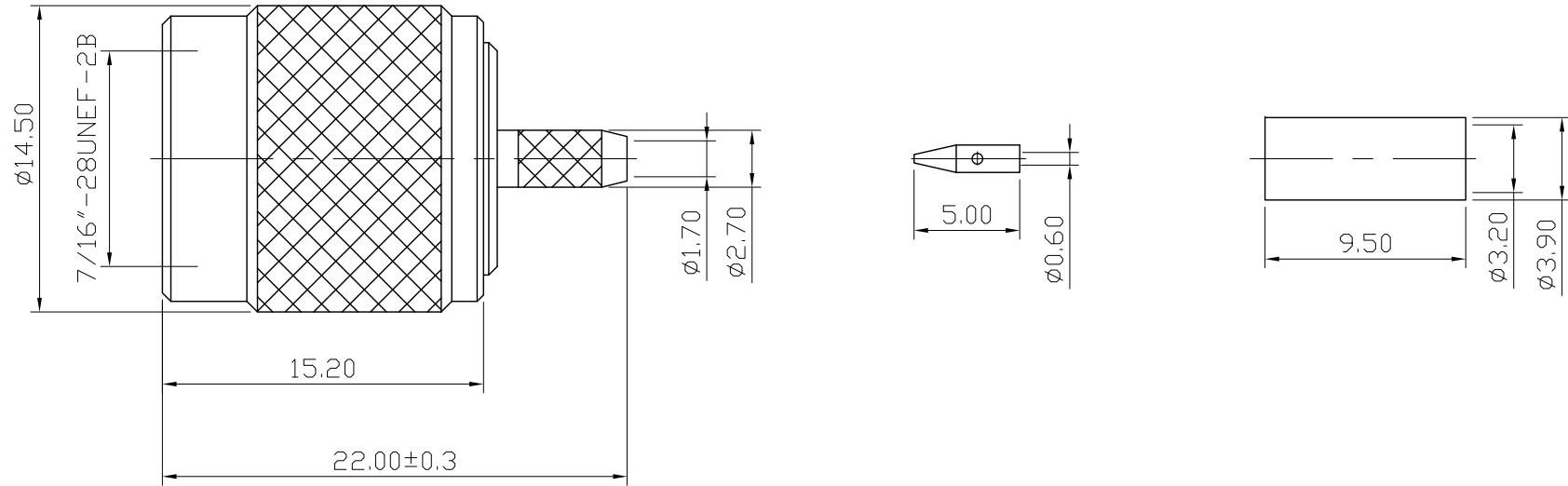


No.	DATE	DESCRIPTION	REV	REMARK : RoHS REQUIREMENT APPLIED (符合RoHS)	DATE	DRAWING NO.
-----	------	-------------	-----	---	------	-------------



S 1 : 1

Electricals:

1. Impedance : 50 Ohms
2. Frequency Range : 0~11 GHz
3. V.S.W.R. : 1.3 MAX. @6 GHz
4. Working Voltage : 500V rms
5. Insulator Resistance : 5,000 MΩ

-	ferrule	1	brass	nickel	
-	contact pin b	1	brass	gold	
-	contact pin a	1	brass	gold	
-	c-ring	1	brass	none	
-	gasket	1	silicone	red	
-	insulator	1	PTFE	white	
-	body	1	brass	nickel	
-	shell	1	brass	nickel	
NO.	Description	Unit	Materials	Finish	Drawing No.

DIMENSIONS ARE IN MILLIMETERS			
UNLESS OTHERWISE SPECIFIED TOLERANCES (一般公差)			
0.5~6	= ±0.2		
>6~30	= ±0.4		
>30~120	= ±0.6		
>120~315	= ±1		
>315~1000	= ±1.6		
ANGLES(角度) = ±5°			
SCALE	3 : 1	UNIT	MM

CHECKED
DRAWN <i>Chad</i>
DATE 2014. 08. 22

雅鈦企業有限公司
Aec Connectors Co., Ltd.

TITLE	TNC STRAIGHT PLUG REVERSE POLARITY CRIMP FOR RG-174U CABLE, 50 Ohm
DRAWING NO.	TC-1001ANTG-SC1735
FILE NO.	DRAWINGRFTCTC-1001ANTG-SC1735