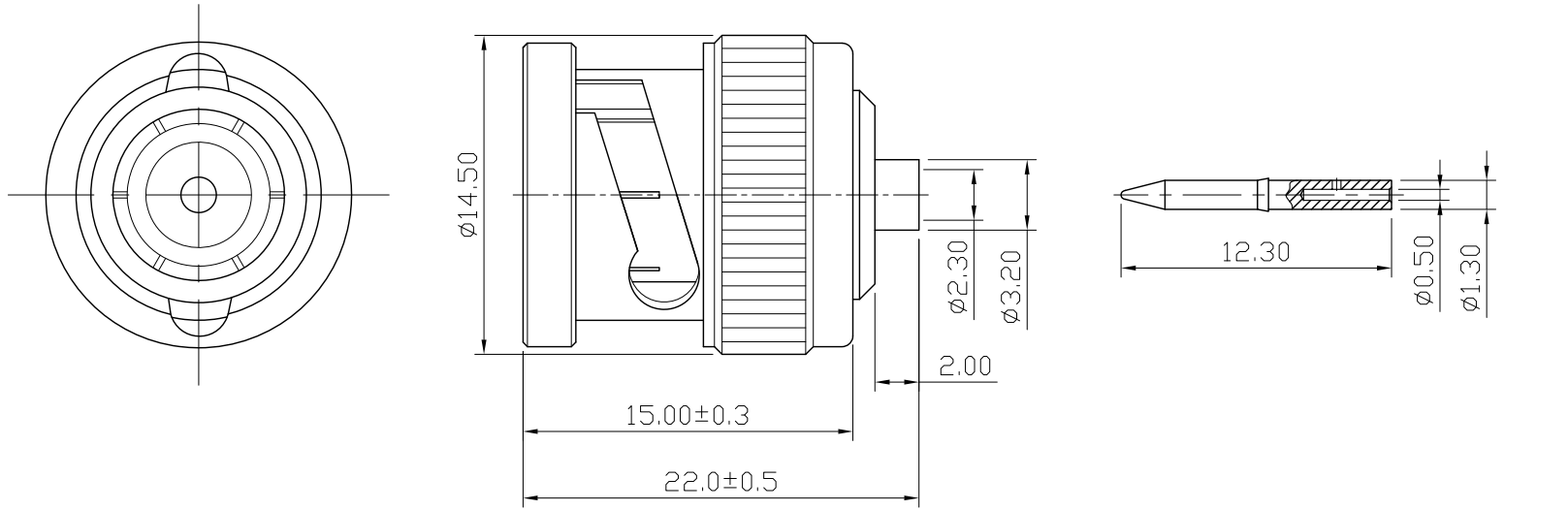
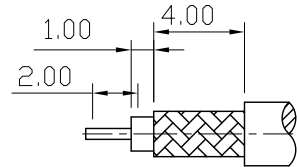


No.	DATE	DESCRIPTION	REV	REMARK : RoHS REQUIREMENT APPLIED (符合RoHS)	DATE	DRAWING NO.
-----	------	-------------	-----	---	------	-------------

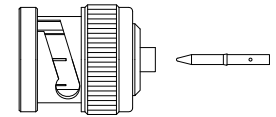


Electricals:

- 1.Impedance: 75 Ohms
- 2.Frequency Range: 0~18 GHz
- 3.Working Voltage: 500V rms Min.
- 4.Dielectric Withstanding Voltage: 1,500 VRMS Min.
- 5.V.S.W.R.: 1.3 Max.



RECOMMENDED CABLE STRIPPING DIM'S
(建議剝線尺寸)




S 1 : 1

8	contact pin	1	brass	gold	
7	washer	1	ss41	nickel	
6	spring	1	sk-5	nickel	
5	c ring	1	ss41	nickel	
4	gasket	1	rubber	red	
3	insulator	1	PTFE	white	
2	body	1	brass	gold	
1	shell	1	brass	nickel	
NO.	Description	Unit	Materials	Finish	Drawing No.

DIMENSIONS ARE IN MILLIMETERS		
UNLESS OTHERWISE SPECIFIED TOLERANCES (一般公差)		
0.5~6	= ±0.2	
>6~30	= ±0.4	
>30~120	= ±0.6	
>120~315	= ±1	
>315~1000	= ±1.6	
ANGLES(角度) = ±5°		
SCALE	3 : 1	UNIT MM

CHECKED
DRAWN <i>Chad</i>
DATE 2016. 09. 26

 雅鈦企業有限公司 Aec Connectors Co., Ltd.	TITLE	BNC STRAIGHT PLUG SOLDER FOR SS75086 CABLE , 75 ohm
	DRAWING NO.	BC-1001ANTG-SF8817
	FILE NO.	DRAWING草圖BC-20160926A