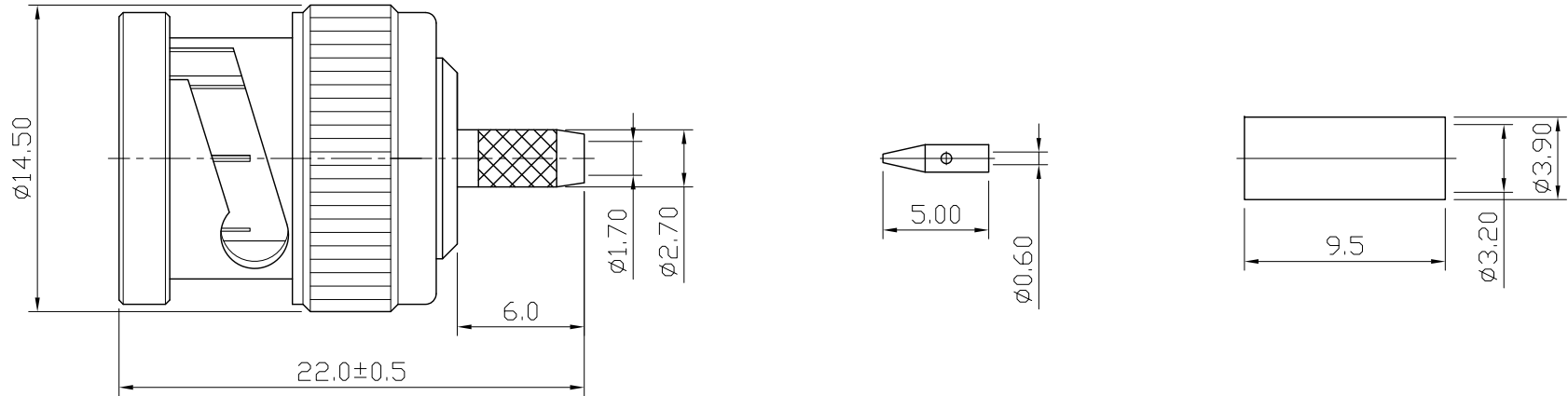
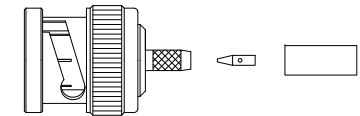


No.	DATE	DESCRIPTION	REV	REMARK : RoHS REQUIREMENT APPLIED (符合RoHS)	DATE	DRAWING NO.
-----	------	-------------	-----	---	------	-------------



Electricals:

1. Impedance: 50 ohms
2. Frequency Range: 0~4 GHz
3. Working Voltage: 500V rms min.
4. Dielectric Withstanding Voltage: 5000 M min.
5. VSWR: 1.3 max.




S 1 : 1

10	ferrule		brass	nickel	OT11BR005A
9	contact pin b	1	brass	gold (3u")	TC03BR015A
8	washer	1	ss41	nickel	OT07SS007A
7	spring	1	sk-5	nickel	OT06SK001A
6	c ring	1	ss41	nickel	OT14SS016A
5	gasket	1	rubber	red	OT12RU001A
4	contact pin a	1	brass	gold (3u")	TC03BR014A
3	insulator	1	PTFE	none	TC02TF013A
2	body	1	brass	nickel	BC01BR045A
1	shell	1	brass	nickel	BC05BR005
NO.	Description	Unit	Materials	Finish	Drawing No.

DIMENSIONS ARE IN MILLIMETERS		
UNLESS OTHERWISE SPECIFIED TOLERANCES (一般公差)		
0.5~6	= ±0.2	
>6~30	= ±0.4	
>30~120	= ±0.6	
>120~315	= ±1	
>315~1000	= ±1.6	
ANGLES(角度) = ±5°		
SCALE	3 : 1	UNIT MM

CHECKED
DRAWN <i>Chad</i>
DATE 2015. 01. 08

 雅鈦企業有限公司 Aec Connectors Co., Ltd.	TITLE	BNC STRAIGHT PLUG REVERSE CRIMP FOR RG-174U , 50 Ohm
	DRAWING NO.	BC-1001ANTG-SC1735
	FILE NO.	DRAWING\RF\BC\BC-1001ANTG-SC1735