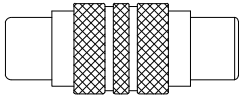
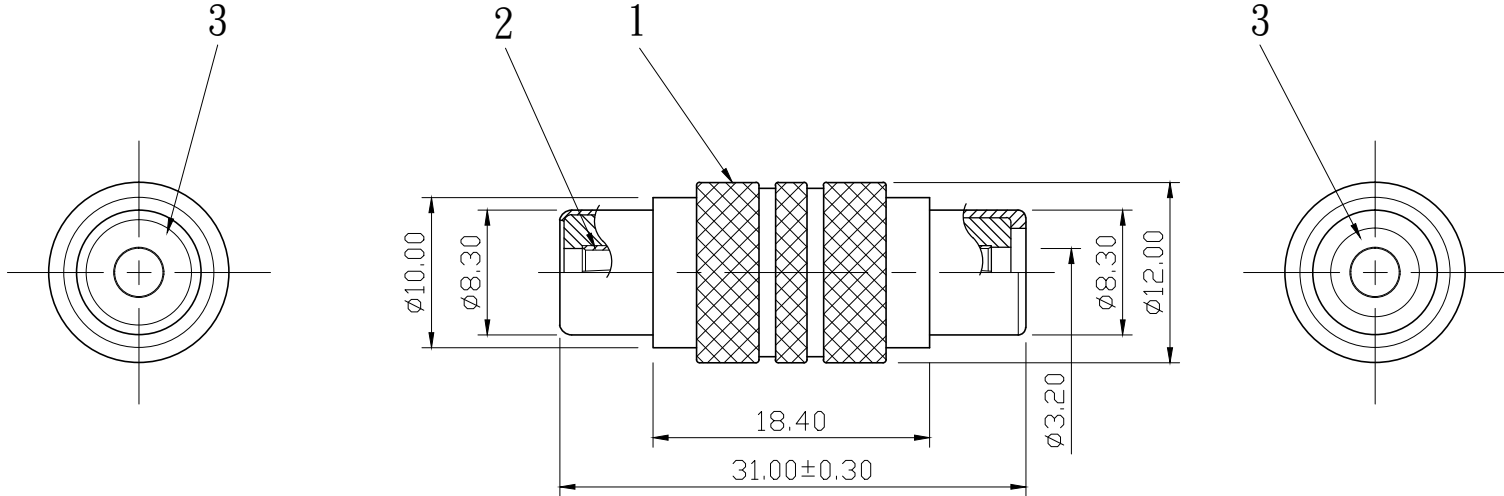



REMARK : RoHS REQUIREMENT APPLIED  
(符合RoHS)



S 1 : 1

7						DIMENSIONS ARE IN MILLIMETERS  UNLESS OTHERWISE PECIFIED TOLERANCES (一般公差) 0.5~6 = ±0.2 >6~30 = ±0.4 >30~120 = ±0.6 >120~315 = ±1 >315~1000 = ±1.6 ANGLES(角度) = ±5°	CHECKED	 雅鈦企業有限公司 Aec Connectors Co., Ltd.
6					DRAWN <i>Jim</i>			
5							DATE 2011. 01. 17	
4							FILE NO. DREWING\AUDIO\RA\RA-102NN-TEF	
3	insulator	2	teflon	white				
2	contact pin	1	brass	nickel				
1	body	1	brass	nickel				
NO.	Description	Unit	Materials	Finish	Drawing No.	SCALE 2 : 1	UNIT	MM