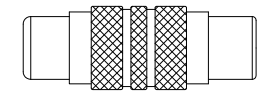
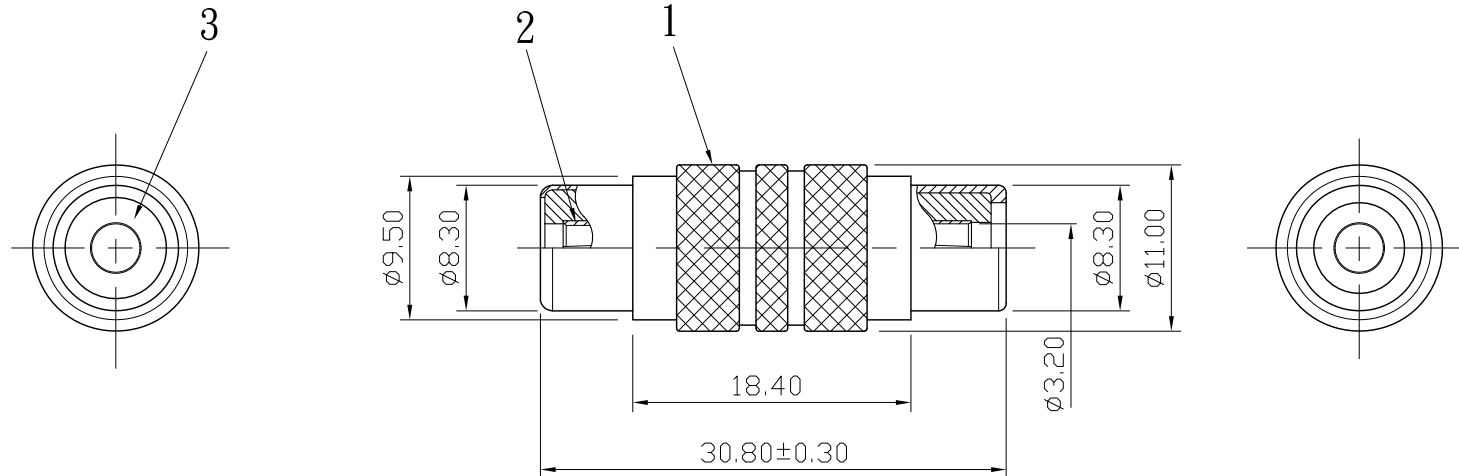



REMARK : RoHS REQUIREMENT APPLIED  
(符合RoHS)



S 1 : 1

7						DIMENSIONS ARE IN MILLIMETERS  UNLESS OTHERWISE SPECIFIED TOLERANCES (一般公差) 0.5~6 = ±0.2 >6~30 = ±0.4 >30~120 = ±0.6 >120~315 = ±1 >315~1000 = ±1.6 ANGLES(角度) = ±5°	CHECKED	 雅鈦企業有限公司 Aec Connectors Co., Ltd.	
6					DRAWN		TITLE		
5							<i>Chad</i>	RCA ADAPTOR	
4							DATE	DRAWING NO.	
3	insulator	2	POM	white		2009.02.04	RA-103GG-POM		
2	contact pin	1	brass	gold			FILE NO.		
1	body	1	brass	gold			DRAWING\AUDIO\RA\RA-103GG-POM		
NO.	Description	Unit	Materials	Finish	Drawing No.	SCALE	2 : 1	UNIT	MM