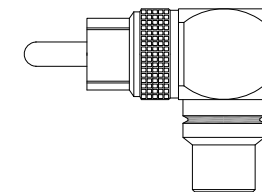
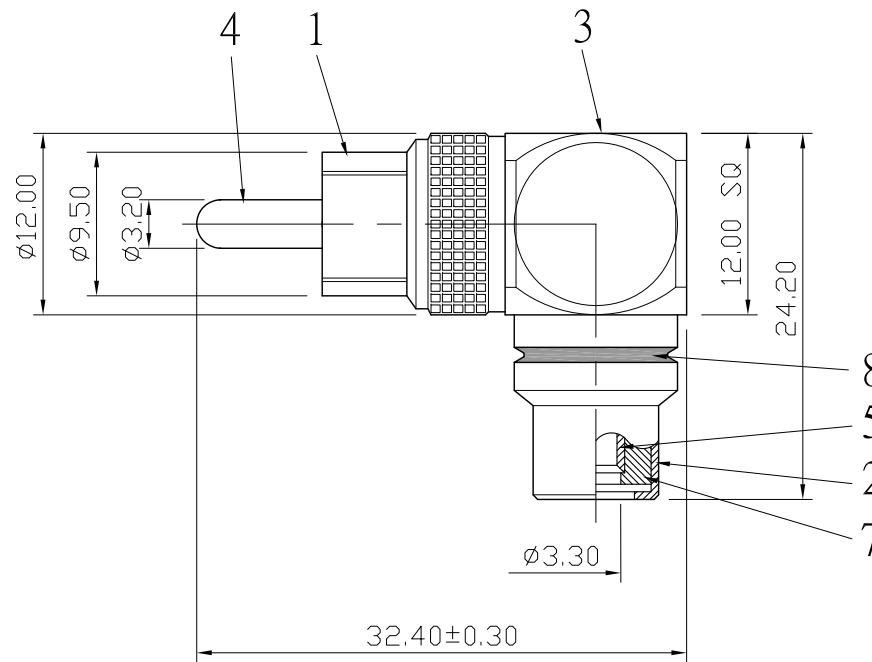
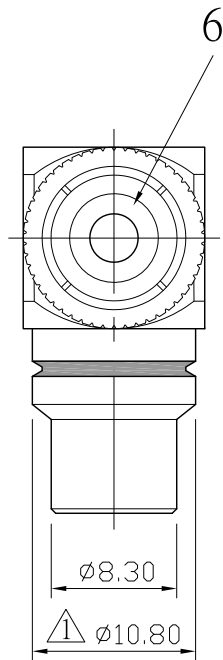


No.	DATE	DESCRIPTION	REV
△	2009. 07. 30	Original dimention □10.4	A

REMARK : RoHS REQUIREMENT APPLIED
(符合RoHS)



S 1 : 1

8	color ring	1	pvc	red/black/blue white/yellow/green	
7	insulator	1	POM	white	
6	insulator	1	POM	white	
5	contact pin	1	brass	gold	
4	contact pin	1	brass	gold	
3	shell	1	brass	gold	
2	body	1	brass	gold	
1	body	1	brass	gold	
NO.	Description	Unit	Materials	Finish	Drawing No.

DIMENSIONS ARE IN
MILLIMETERS
UNLESS OTRWISE PECIFIED
TOLERANCES
(一般公差)
0.5~6 = ±0.2
>6~30 = ±0.4
>30~120 = ±0.6
>120~315 = ±1
>315~1000 = ±1.6
ANGLES(角度) = ±5°

CHECKED

DRAWN

Chad

DATE

2009. 07. 10



雅鈦企業有限公司
Aec Connectors Co., Ltd.

TITLE

RCA ADAPTOR

DRAWING NO.

RA-201GG-POM-RD/BK/BE/WE/YW/GN

FILE NO. DRAWING\AUDIO\RA-201GG-POM-RD/BK/BE/WE/YW/GN

SCALE 2 : 1 UNIT MM