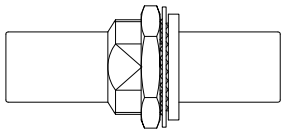
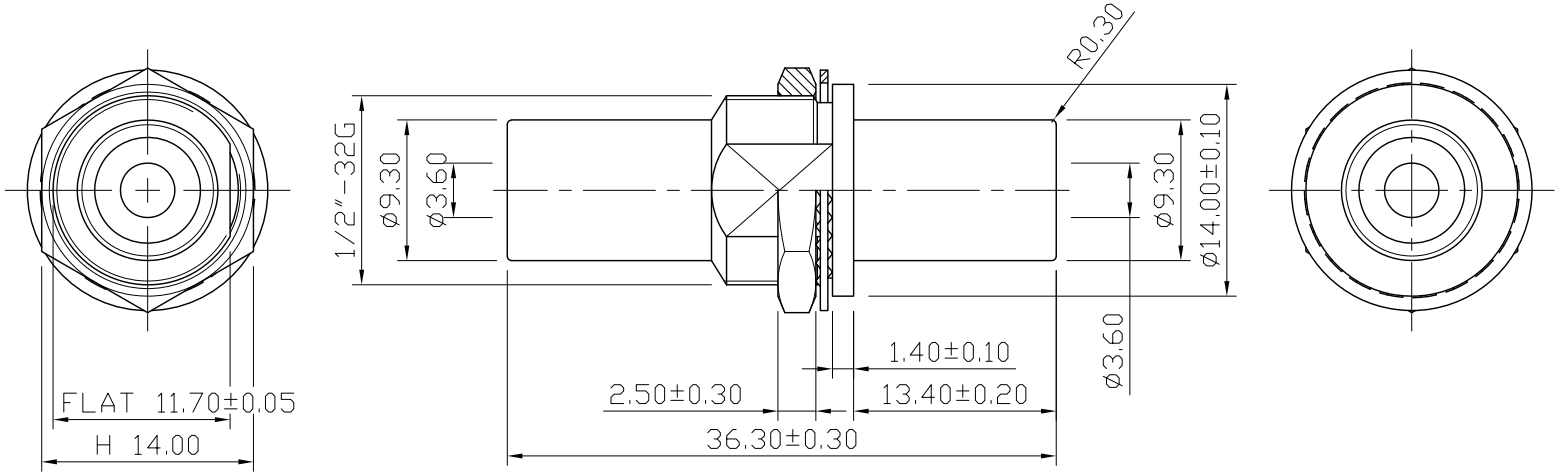


REMARK : RoHS REQUIREMENT APPLIED
(符合RoHS)



S 1 : 1

-	sleeve	2	PVC	transparent	
-	nut	1	brass	nickel	
-	washer	1	steel	nickel	
-	insulator	1	ABS	white	
-	contact pin	1	brass	nature	
-	contact pin	1	brass	nickel	
-	body	1	brass	nickel	
-	body	1	brass	nickel	
NO.	Description	Unit	Materials	Finish	Drawing No.

DIMENSIONS ARE IN MILLIMETERS			
UNLESS OTHERWISE SPECIFIED TOLERANCES (一般公差)			
0.5~6 = ±0.2			
>6~30 = ±0.4			
>30~120 = ±0.6			
>120~315 = ±1			
>315~1000 = ±1.6			
ANGLES(角度) = ±5°			
SCALE	2 : 1	UNIT	MM

CHECKED	
DRAWN	Jim
DATE	2013. 09. 13



雅鈦企業有限公司
Aec Connectors Co., Ltd.

TITLE	3.5MM Stereo JACK TO 3.5MM Stereo JACK
DRAWING NO.	RA-284NN-ABS
FILE NO.	DRAWING\AUDIO\RA\RA-284NN-ABS