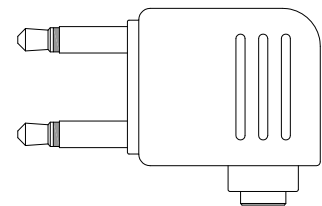
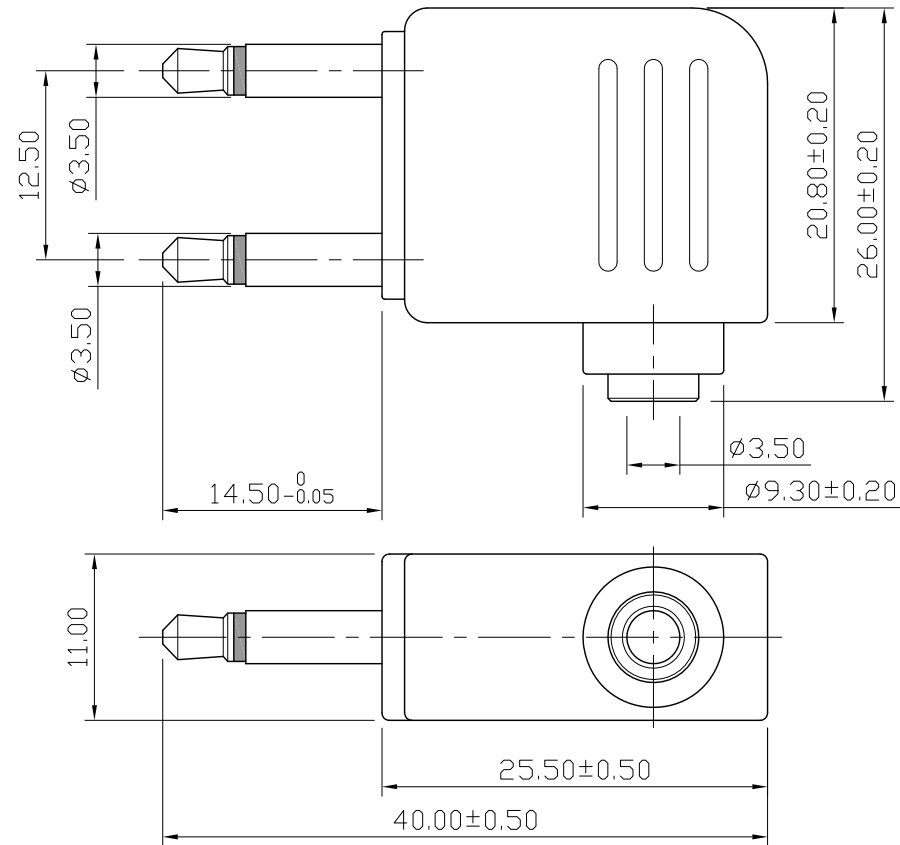



REMARK : RoHS REQUIREMENT APPLIED  
(符合RoHS)



S 1 : 1

|     |             |      |                 |        |             |  |                      |   |  |
|-----|-------------|------|-----------------|--------|-------------|--|----------------------|---|--|
| -   | insulator   | 1    | ABS             | white  |             | DIMENSIONS ARE IN<br>MILLIMETERS<br><br>UNLESS OTHERWISE PECIFIED<br>TOLERANCES<br>(一般公差)<br>0.5~6 = ±0.2<br>>6~30 = ±0.4<br>>30~120 = ±0.6<br>>120~315 = ±1<br>>315~1000 = ±1.6<br>ANGLES(角度) = ±5° | CHECKED              |  <b>雅鈦企業有限公司</b><br>Aec Connectors Co., Ltd. |  |
| -   | solder tab  | 1    | phosphor bronze | nature |             |  | DRAWN<br><i>Tina</i> |   | TITLE<br>3.5mm Mono * 2 to 3.5mm Stereo Jack |
| -   | solder tab  | 1    | brass           | nickel |             |  |                      |   | DATE<br>2013. 01. 29                         |
| -   | insulator   | 2    | plastic         | black  |             |  |                      | FILE NO. DRAWINGVAUDIO\RA\RA-298BKPLN-ABS   |  |
| -   | shell       | 1    | plastic         | black  |             |  |                      |   |  |
| -   | body        | 1    | brass           | nickel |             |  |                      |   |  |
| -   | body        | 2    | brass           | nickel |             |  |                      |   |  |
| -   | body        | 2    | brass           | nickel |             |  |                      |   |  |
| NO. | Description | Unit | Materials       | Finish | Drawing No. |  | SCALE                | 2 : 1   | UNIT   |