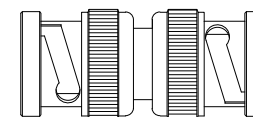
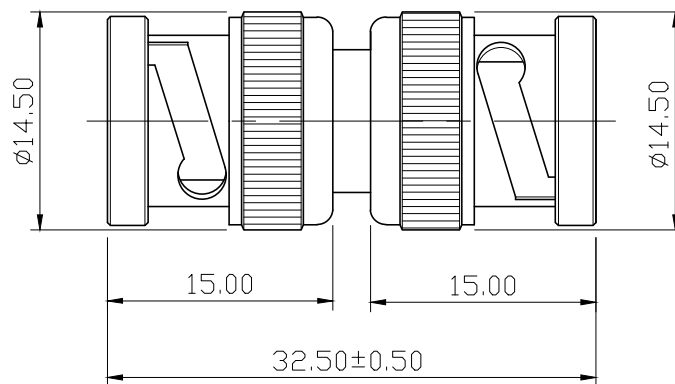
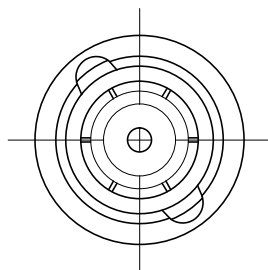


No.	DATE	DESCRIPTION	REV	REMARK : RoHS REQUIREMENT APPLIED (符合RoHS)	DATE	DRAWING NO.
					2008. 09. 15	BC-1044NG-DEL(50)



S1 : 1

-	contact pin	1	brass	gold	
-	insulator	2	POM	white	
-	gasket	2	rubber	red	
-	washer	2	steel	nickel	
-	spring	2	SK-5	nickel	
-	washer	2	steel	nickel	
-	body	1	brass	nickel	
-	shell	2	brass	nickel	
NO.	Description	Unit	Materials	Finish	Drawing No.

DIMENSIONS ARE IN MILLIMETERS		
UNLESS OTHERWISE PECIFIED TOLERANCES (一般公差)		
0.5~6	= ±0.2	
>6~30	= ±0.4	
>30~120	= ±0.6	
>120~315	= ±1	
>315~1000	= ±1.6	
ANGLES(角度) = ±5°		
SCALE	2 : 1	UNIT MM

CHECKED
DRAWN <i>Jim</i>
DATE 2008. 03. 25

 <b>雅鈦企業有限公司</b> Aec Connectors Co., Ltd.	
TITLE	BNC MALE TO MALE
DRAWING NO.	ADT-1201S-BC15DA-BC15DA
FILE NO.	DRAWINGRFADTVADT-1201S-BC15DA-BC15DA