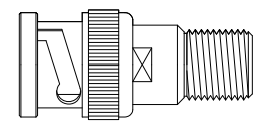
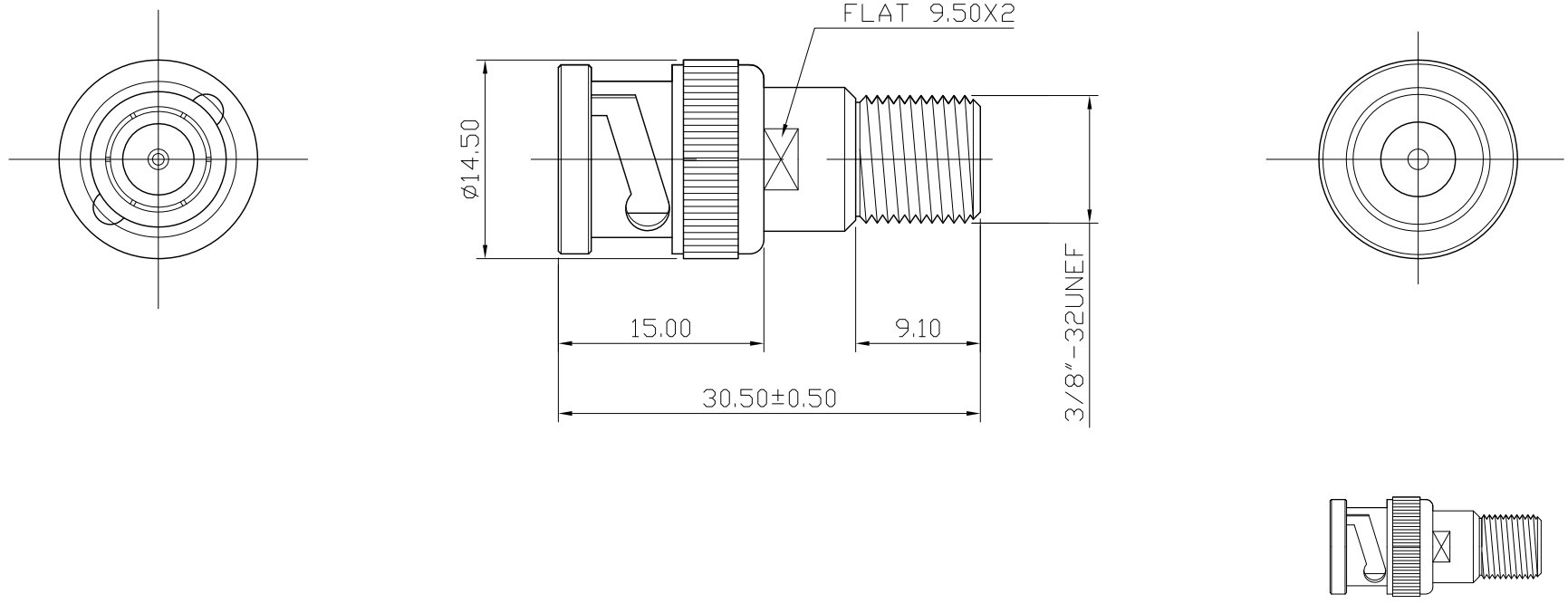


No.	DATE	DESCRIPTION	REV	REMARK : RoHS REQUIREMENT APPLIED (符合RoHS)	DATE	DRAWING NO.
					2010. 08. 19	BC-1048NG-DEL(50)




S 1 : 1

10	insulator	1	POM	white	
9	contact pin	1	phosphor bronze	gold	
8	gasket	1	rubber	red	
7	washer	1	steel	nickel	
6	spring	1	SK-5	nickel	
5	washer	1	steel	nickel	
4	insulator	1	POM	white	
3	contact pin	1	brass	gold	
2	shell	1	brass	nickel	
1	body	1	brass	nickel	
NO.	Description	Unit	Materials	Finish	Drawing No.

DIMENSIONS ARE IN MILLIMETERS
UNLESS OTHERWISE SPECIFIED
TOLERANCES
(一般公差)
0.5~6 = ±0.2
>6~30 = ±0.4
>30~120 = ±0.6
>120~315 = ±1
>315~1000 = ±1.6
ANGLES(角度) = ±5°

CHECKED

DRAWN
Jim
DATE
2009. 10. 12

 雅鈦企業有限公司
Aec Connectors Co., Ltd.

TITLE
BNC MALE TO F FEMALE

DRAWING NO.
ADT-1206S-BC15DA-FS25DA

FILE NO. DRAWINGRFBVCADT-1206S-BC15DA-FS25DA