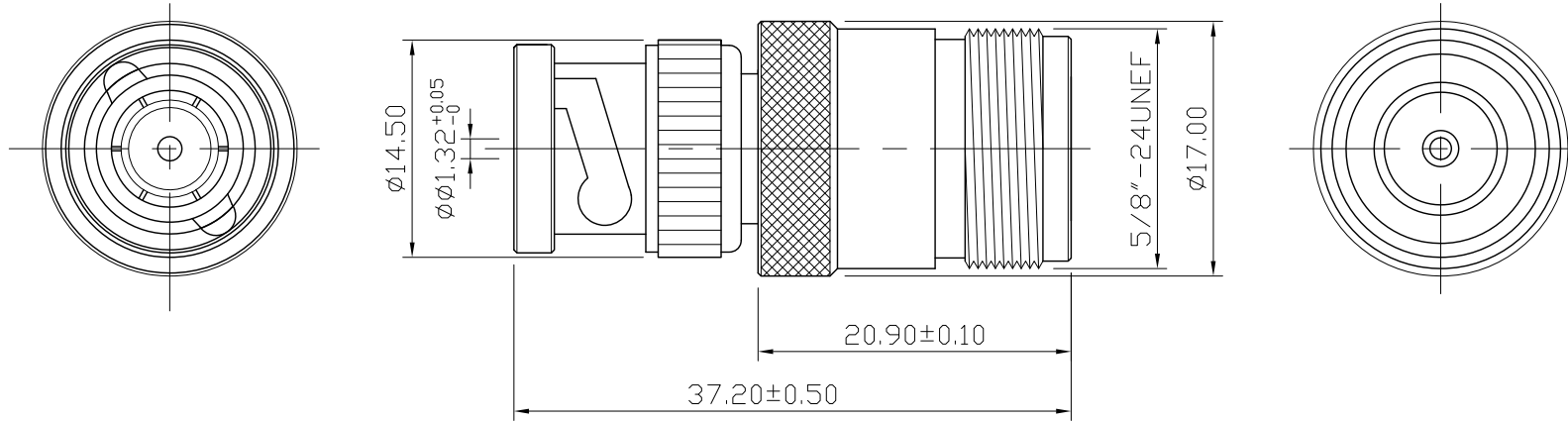
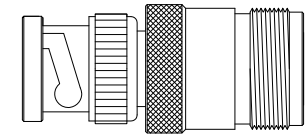


No.	DATE	DESCRIPTION	REV	REMARK : RoHS REQUIREMENT APPLIED (符合RoHS)	DATE	DRAWING NO.
					2009. 04. 01	BC-1050NG-DEL(50)



1.THE SPEC OF THE BEVEL WHICH WITHOUT REMARK IS 0.2mmx45°  
(未標註之倒角尺寸為 <0.2mmx45°)

2.TOLERANCE IS ±0.08mm UNLESS OTHER WISE SPECIFIED, TOLERANCE OF THE DIAMETER IS ±0.03mm  
(未標註之公差長度為 ±0.08mm, 直徑為 ±0.03mm)



S 1 : 1

-	body	1	brass	nickel	
-	gasket	1	rubber	red	
-	washer	1	steel	nickel	
-	spring	1	steel	nickel	
-	washer	1	steel	nickel	
-	insulator	1	POM	white	
-	insulator	1	POM	white	
-	contact pin	1	brass	gold	
-	shell	1	brass	nickel	
-	body	1	brass	nickel	
NO.	Description	Unit	Materials	Finish	Drawing No.

DIMENSIONS ARE IN MILLIMETERS		
UNLESS OTHERWISE SPECIFIED TOLERANCES (一般公差)		
0.5~6	= ±0.2	
>6~30	= ±0.4	
>30~120	= ±0.6	
>120~315	= ±1	
>315~1000	= ±1.6	
ANGLES(角度) = ±5°		
SCALE	2 : 1	UNIT
		MM

CHECKED
DRAWN <i>Jim</i>
DATE 2007. 08. 02

 <b>雅鈦企業有限公司</b> Aec Connectors Co., Ltd.	TITLE <b>BNC MALE TO N FEMALE</b>
	DRAWING NO. <b>ADT-1208S-BC15DA-NS25DA</b>
	FILE NO. DRAWING\RFADT\ADT-1208S-BC15DA-NS25DA