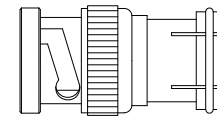
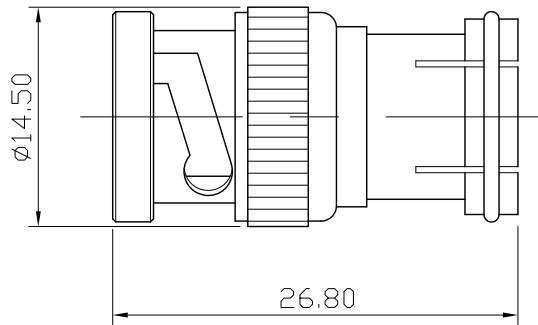
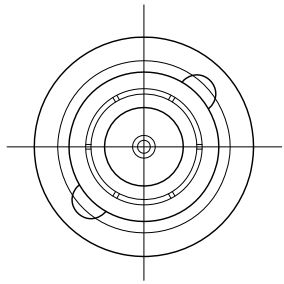



No.	DATE	DESCRIPTION	REV	REMARK : RoHS REQUIREMENT APPLIED (符合RoHS)	DATE	DRAWING NO.
-----	------	-------------	-----	---	------	-------------



S 1 : 1

-	ring	1	steel	nickel	
-	body	1	brass	nickel	
-	contact pin	1	brass	gold	
-	insulator	1	delrin	white	
-	washer	1	steel	nickel	
-	spring	1	sk-5	nickel	
-	washer	1	steel	nickel	
-	gasket	1	rubber	red	
-	insulator	1	delrin	white	
-	shell	1	brass	nickel	
NO.	Description	Unit	Materials	Finish	Drawing No.

DIMENSIONS ARE IN MILLIMETERS UNLESS OTHERWISE PECIFIED TOLERANCES (一般公差) 0.5~6 = $\pm 0.2$ >6~30 = $\pm 0.4$ >30~120 = $\pm 0.6$ >120~315 = $\pm 1$ >315~1000 = $\pm 1.6$ ANGLES(角度) = $\pm 5^\circ$	CHECKED	 <b>雅鈦企業有限公司</b> Aec Connectors Co., Ltd.
	DRAWN <i>Lala</i>	
DATE 2008. 12. 16	DRAWING NO. ADT-1210S-BC15DA-PL25DA	
SCALE 2 : 1	UNIT MM	FILE NO. DRAWING\RF\ADT\ADT-1210S-BC15DA-PL25DA