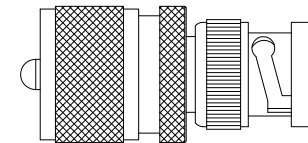
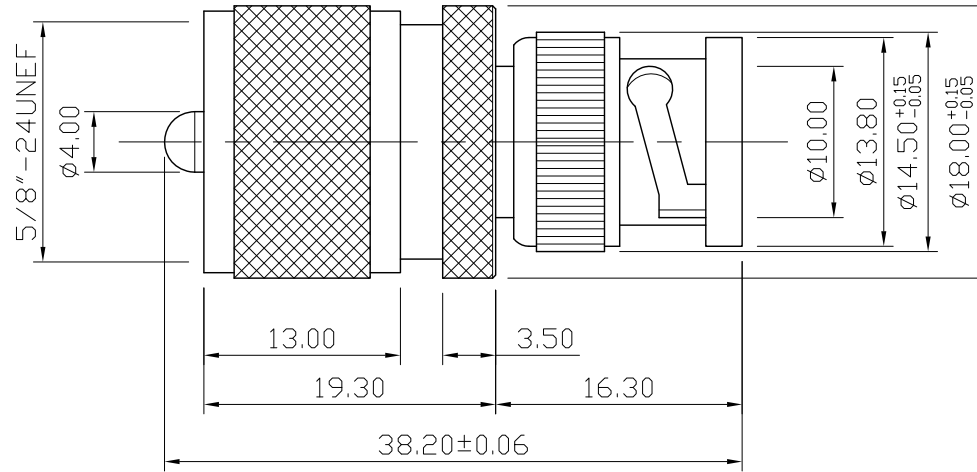


REMARK : RoHS REQUIREMENT APPLIED
(符合RoHS)



S 1 : 1

-	washer	1	brass	nickel	
-	insulator	1	delrin	white	
-	gasket	1	rubber	red	
-	washer	1	steel	nickel	
-	spring	1	steel	nickel	
-	washer	1	brass	nickel	
-	insulator	1	delrin	white	
-	contact pin	1	brass	gold	
-	shell	1	brass	nickel	
-	shell	1	brass	nickel	
-	body	1	brass	nickel	
NO.	Description	Unit	Materials	Finish	Drawing No.

DIMENSIONS ARE IN
MILLIMETERS
UNLESS OTHERWISE SPECIFIED
TOLERANCES
(一般公差)
$0.5\sim 6 = \pm 0.2$
$>6\sim 30 = \pm 0.4$
$>30\sim 120 = \pm 0.6$
$>120\sim 315 = \pm 1$
$>315\sim 1000 = \pm 1.6$
ANGLES(角度) = $\pm 5^\circ$

CHECKED

DRAWN
Jim

DATE
2011. 07. 07



雅鈦企業有限公司
Aec Connectors Co., Ltd.

TITLE
BNC MALE TO UHF MALE

DRAWING NO.
ADT-1215S-BC15DA-US15DA

FILE NO. DRAWINGRFADTVADT-1215S-BC15DA-US15DA

SCALE 2 : 1 UNIT MM