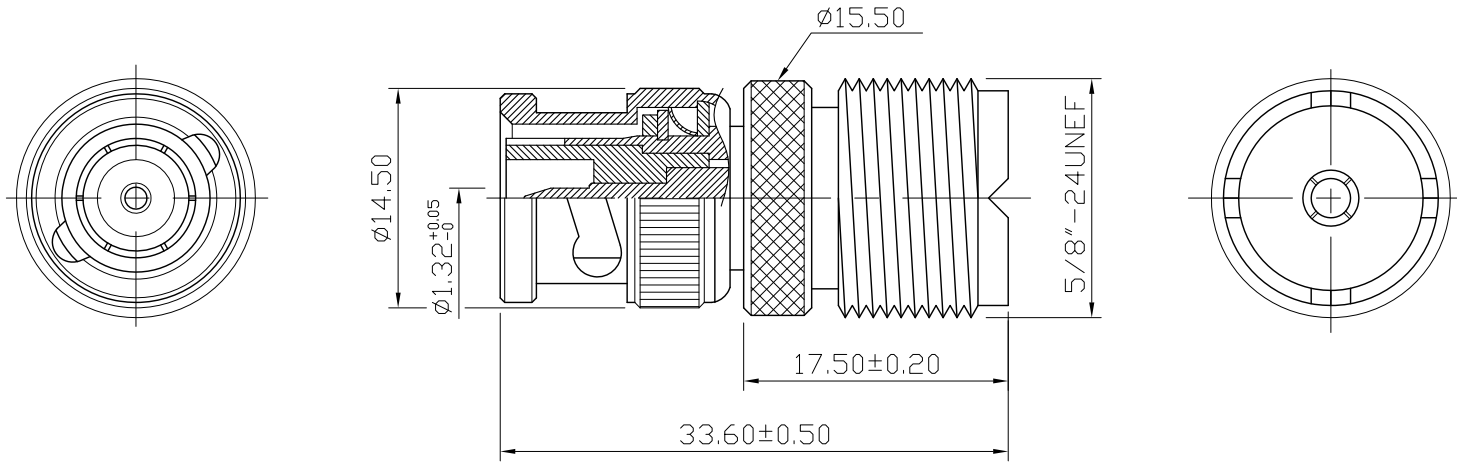
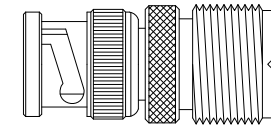


No.	DATE	DESCRIPTION	REV	REMARK : RoHS REQUIREMENT APPLIED (符合RoHS)	DATE	DRAWING NO.
-----	------	-------------	-----	---	------	-------------



1.THE SPEC OF THE BEVEL WHICH WITHOUT REMARK IS 0.2mmx45°
(未標註之倒角尺寸為 <0.2mmx45°)

2.TOLERANCE IS ±0.08mm UNLESS OTHER WISE SPECIFIED, TOLERANCE OF THE DIAMETER IS ±0.03mm
(未標註之公差長度為 ±0.08mm, 直徑為 ±0.03mm)




S 1 : 1

-	body	1	brass	nickel	
-	gasket	1	rubber	red	
-	washer	1	steel	nickel	
-	spring	1	steel	nickel	
-	washer	1	steel	nickel	
-	insulator	1	teflon	whire	
-	insulator	1	teflon	white	
-	contact pin	1	brass	gold	
-	shell	1	brass	nickel	
-	body	1	brass	nickel	
NO.	Description	Unit	Materials	Finish	Drawing No.

DIMENSIONS ARE IN MILLIMETERS			
UNLESS OTRHWISE PECIFIED TOLERANCES (一般公差)			
0.5~6 = ±0.2			
>6~30 = ±0.4			
>30~120 = ±0.6			
>120~315 = ±1			
>315~1000 = ±1.6			
ANGLES(角度) = ±5°			
SCALE	2 : 1	UNIT	MM

CHECKED
DRAWN <i>Lala</i>
DATE 2009. 04. 07

 雅鈦企業有限公司 Aec Connectors Co., Ltd.	TITLE BNC MALE TO UHF FEMALE
	DRAWING NO. ADT-1216S-BC15TA-US25TA
	FILE NO. DRAWINGRFADTVADT-1216S-BC15TA-US25TA