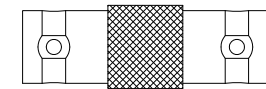
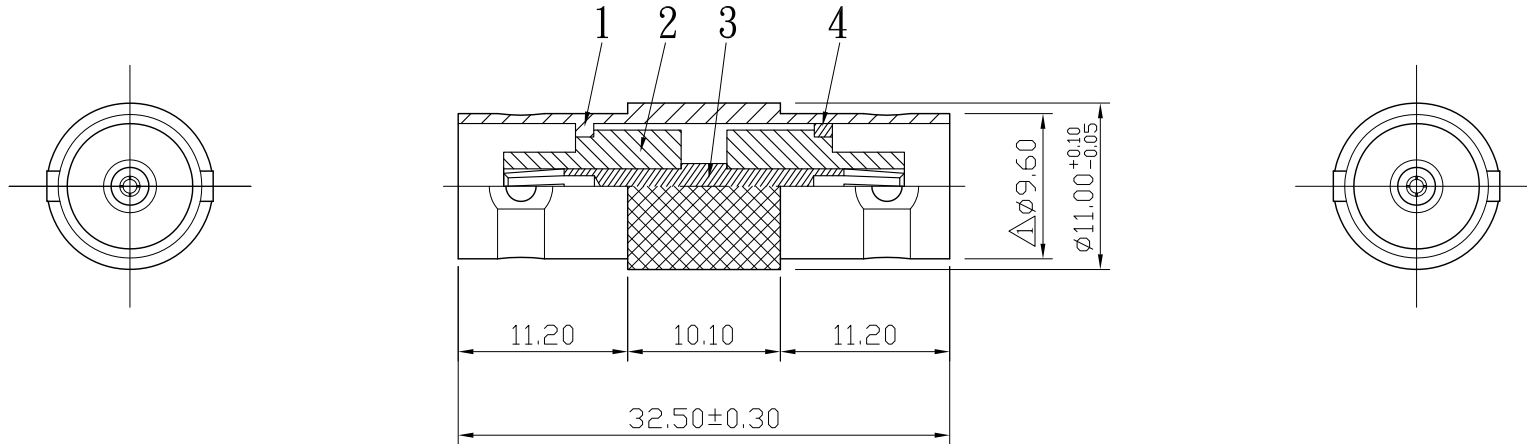



No.	DATE	DESCRIPTION	REV	REMARK : RoHS REQUIREMENT APPLIED (符合RoHS)	DATE	DRAWING NO.
△	2014. 04. 30	Original dimention □9.50	A		2009. 02. 11	BC-1059NG-DEL(50)



S 1 : 1

-						DIMENSIONS ARE IN MILLIMETERS UNLESS OTHRWISE PECIFIED TOLERANCES (一般公差) 0.5~6 = ±0.2 >6~30 = ±0.4 >30~120 = ±0.6 >120~315 = ±1 >315~1000 = ±1.6 ANGLES(角度) = ±5°	CHECKED	 雅鈦企業有限公司 Aec Connectors Co., Ltd.
-					DRAWN		TITLE BNC STRAIGHT JACK TO JACK ADAPTOR	
4	washer	1	brass	nickel			<i>Chad</i>	DRAWING NO. ADT-1217S-BC25DA-BC25DA
3	contact pin	1	brass	gold			DATE 2008. 01. 02	FILE NO. DRAWING/RF/ADT/ADT-1217S-BC25DA-BC25DA
2	insulator	2	POM	white				
1	body	1	brass	nickel				
NO.	Description	Unit	Materials	Finish	Drawing No.	SCALE 2 : 1	UNIT	MM