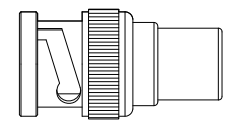
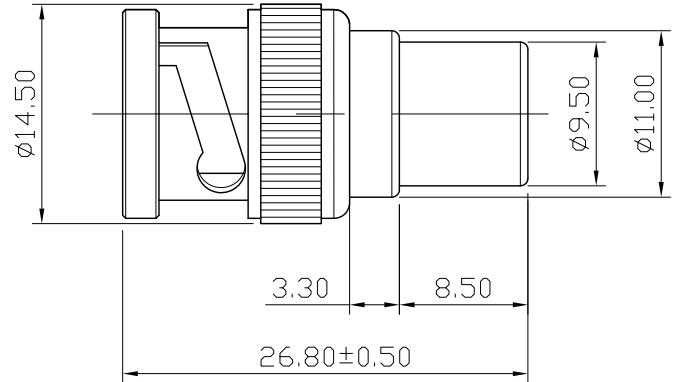
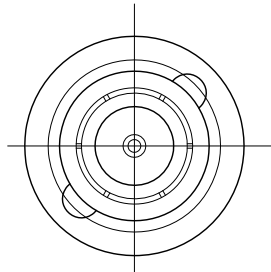



No.	DATE	DESCRIPTION	REV	REMARK : RoHS REQUIREMENT APPLIED (符合RoHS)	DATE	DRAWING NO.
-----	------	-------------	-----	---	------	-------------



S 1 : 1

-	washer	1	steel	nickel	
-	gasket	1	PVC	red	
-	spring	1	SK-5	nickel	
-	washer	1	steel	nickel	
-	contact pin	1	brass	nickel	
-	insulator	1	POM	white	
-	insulator	1	POM	white	
-	body	1	brass	nickel	
-	shell	1	brass	nickel	
NO.	Description	Unit	Materials	Finish	Drawing No.

DIMENSIONS ARE IN MILLIMETERS UNLESS OTHERWISE SPECIFIED TOLERANCES (一般公差) 0.5~6 = ±0.2 >6~30 = ±0.4 >30~120 = ±0.6 >120~315 = ±1 >315~1000 = ±1.6 ANGLES(角度) = ±5°	CHECKED	 雅鈦企業有限公司 Aec Connectors Co., Ltd.
	DRAWN <i>Jim</i>	
DATE 2009. 10. 12	DRAWING NO. ADT-1209S-BC15DB-PL15DB	
SCALE 2 : 1 UNIT MM	FILE NO. DRAWING\RFADT\ADT-1209S-BC15DB-PL15DB	