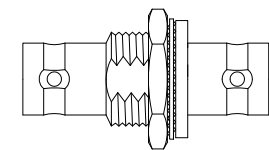
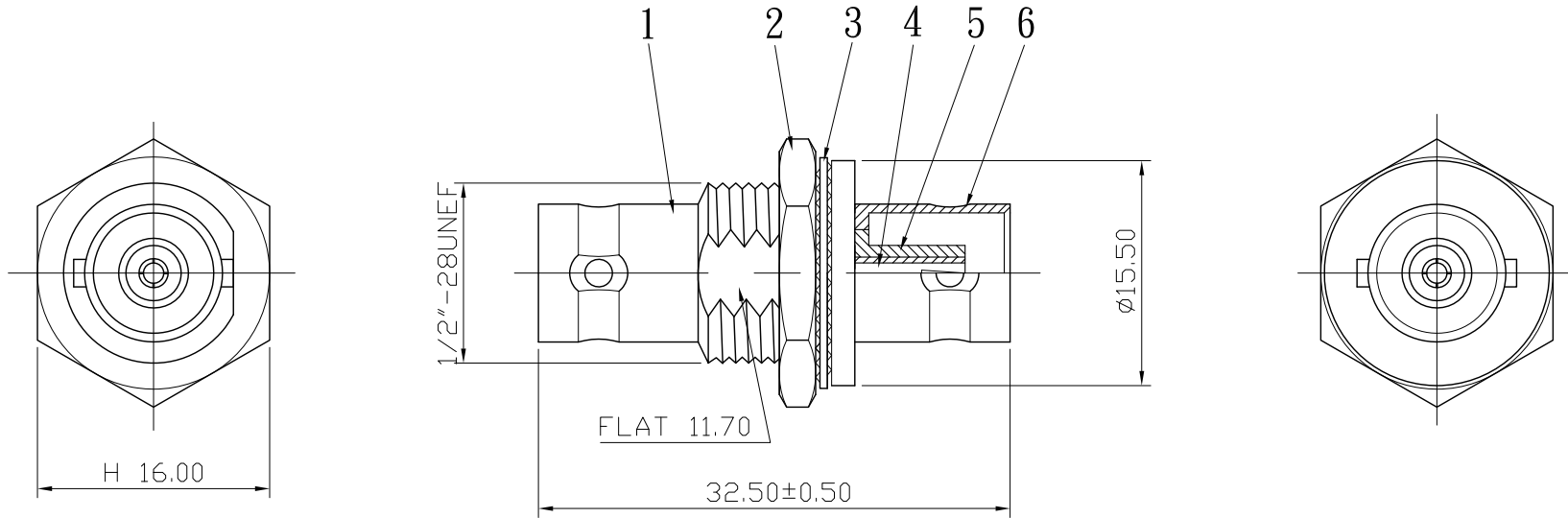



No.	DATE	DESCRIPTION	REV	REMARK : RoHS REQUIREMENT APPLIED (符合RoHS)	DATE	DRAWING NO.
					2008. 11. 24	BC-1060NG-DEL(50)



S 1 : 1

7						DIMENSIONS ARE IN MILLIMETERS  UNLESS OTHERWISE PECIFIED TOLERANCES (一般公差) 0.5~6 = ±0.2 >6~30 = ±0.4 >30~120 = ±0.6 >120~315 = ±1 >315~1000 = ±1.6 ANGLES(角度) = ±5°	CHECKED	 雅鈦企業有限公司 Aec Connectors Co., Ltd.	
6	body	1	brass	nickel			DRAWN <i>Lala</i>		TITLE DOUBLE BNC FEMALE BULKHEAD
5	insulator	2	delrin	white					DATE 2007. 01. 07
4	contact pin	1	brass	gold				FILE NO. DRAWINGR\FVADTV\ADTV1221S-BC25DA-BC25DA	
3	washer	1	brass	nickel					
2	nut	1	brass	nickel					
1	body	1	brass	nickel					
NO.	Description	Unit	Materials	Finish	Drawing No.	SCALE	2 : 1	UNIT	MM