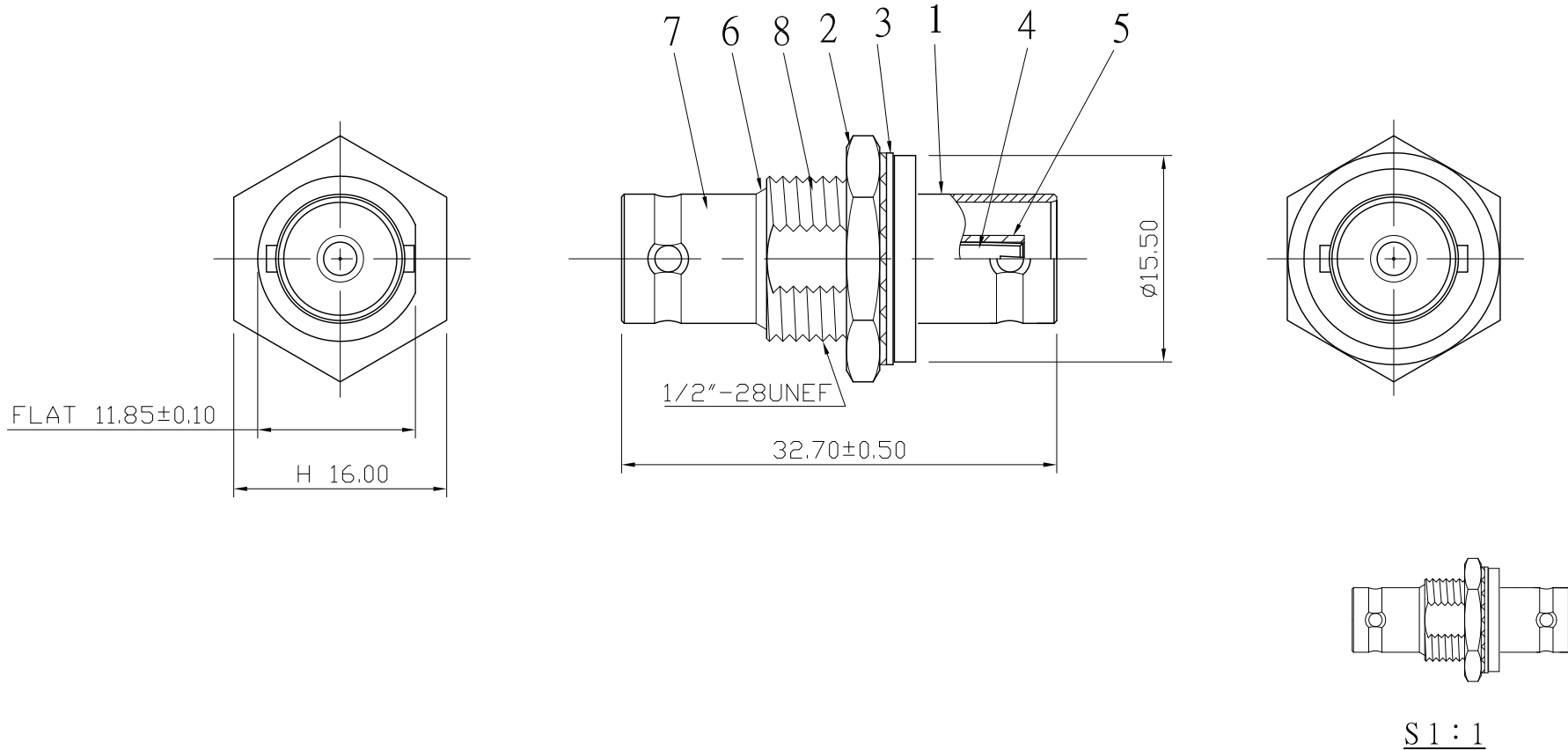



No.	DATE	DESCRIPTION	REV	REMARK : RoHS REQUIREMENT APPLIED (符合RoHS)	DATE	DRAWING NO.
					2008. 11. 24	BC-1060NG-S-DEL(75)-Ro



8	screw nut	1	brass	nickel	
7	body	1	brass	nickel	
6	insulator	1	delrin	white	
5	insulator	2	delrin	white	
4	contact pin	1	brass	gold	
3	washer	1	brass	nickel	
2	nut	1	brass	nickel	
1	body	1	brass	nickel	
NO.	Description	Unit	Materials	Finish	Drawing No.

DIMENSIONS ARE IN MILLIMETERS UNLESS OTHERWISE PECIFIED TOLERANCES (一般公差) 0.5~6 = ±0.2 >6~30 = ±0.4 >30~120 = ±0.6 >120~315 = ±1 >315~1000 = ±1.6 ANGLES(角度) = ±5°	CHECKED	 雅鈦企業有限公司 Aec Connectors Co., Ltd.
	DRAWN <i>Lala</i>	
DATE 2007. 08. 07	DRAWING NO. ADT-1223S-BC27DA-BC27DA	
SCALE 2 : 1		UNIT MM
FILE NO. DRAWING\RFADT\ADT-1223S-BC27DA-BC27DA		