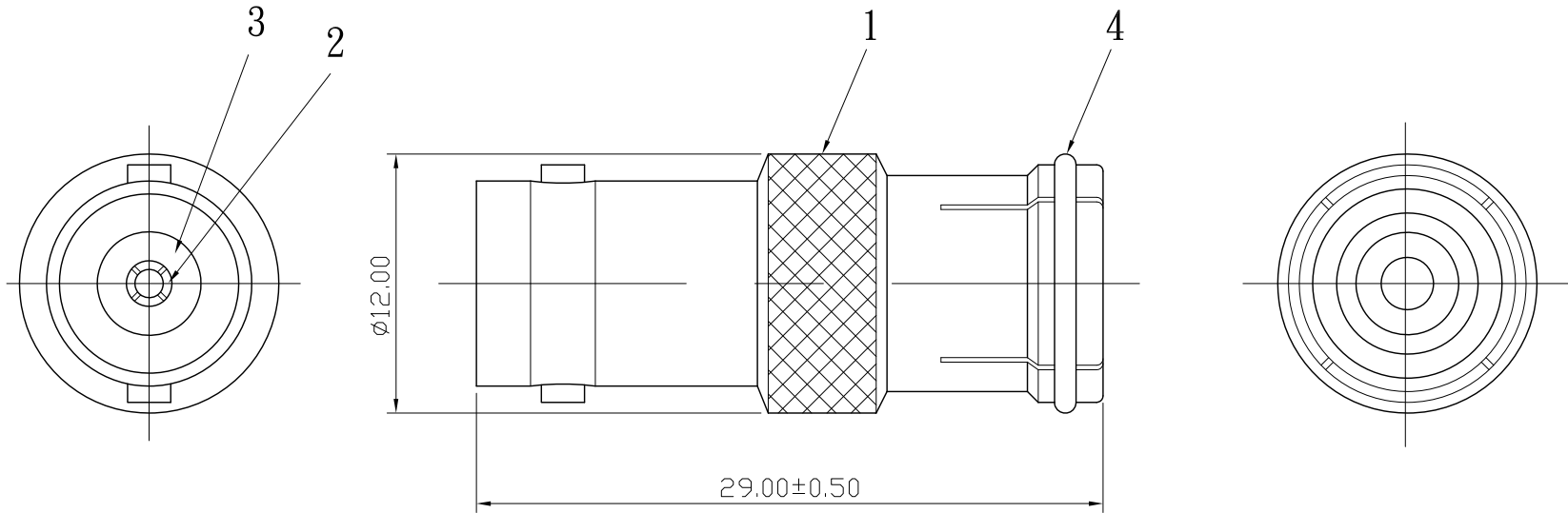


No.	DATE	DESCRIPTION	REV	REMARK : RoHS REQUIREMENT APPLIED (符合RoHS)	DATE	DRAWING NO.
					2008. 11. 24	BC-1064NG-DEL(50)



S 1 : 1

7					
6					
5					
4	ring	1	brass	nickel	
3	insulator	1	delrin	white	
2	contact pin	1	brass	gold	
1	body	1	brass	nickel	
NO.	Description	Unit	Materials	Finish	Drawing No.

DIMENSIONS ARE IN MILLIMETERS		
UNLESS OTHERWISE SPECIFIED TOLERANCES (一般公差)		
0.5~6	= ±0.2	
>6~30	= ±0.4	
>30~120	= ±0.6	
>120~315	= ±1	
>315~1000	= ±1.6	
ANGLES(角度) = ±5°		
SCALE	3 : 1	UNIT MM

CHECKED
DRAWN <i>Lala</i>
DATE 2007. 09. 21

 <b>雅鈦企業有限公司</b> Aec Connectors Co., Ltd.	TITLE BNC FEMALE TO F QUICK MALE
	DRAWING NO. ADT-1227S-BC27DA-FS17DA
	FILE NODRAWINGR\FADT\ADT-1227S-BC27DA-FS17DA