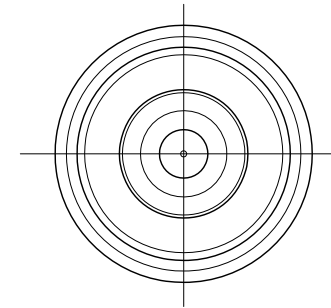
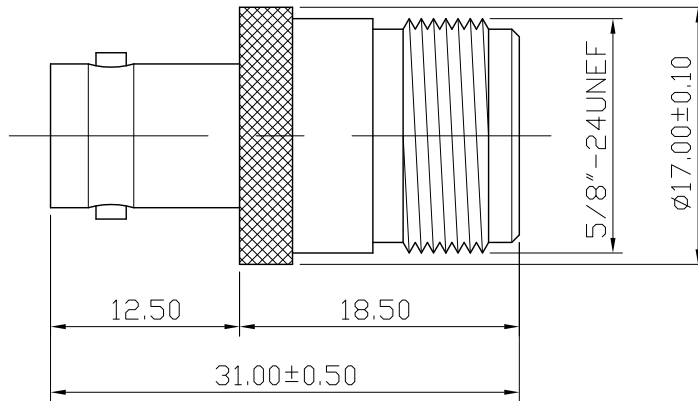
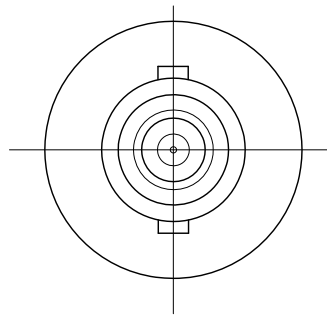
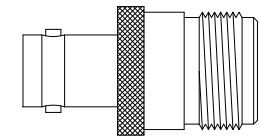


No.	DATE	DESCRIPTION	REV	REMARK : RoHS REQUIREMENT APPLIED (符合RoHS)	DATE	DRAWING NO.
					2008. 11. 21	BC-1065NG-DEL(50)




1.THE SPEC OF THE BEVEL WHICH WITHOUT REMARK IS 0.2mmx45°
(未標註之倒角尺寸為 <0.2mmx45°)

2.TOLERANCE IS ±0.08mm UNLESS OTHER WISE SPECIFIED, TOLERANCE OF THE DIAMETER IS ±0.03mm
(未標註之公差長度為 ±0.08mm, 直徑為 ±0.03mm)



S 1 : 1

-						DIMENSIONS ARE IN MILLIMETERS UNLESS OTRWISE PECIFIED TOLERANCES (一般公差) 0.5~6 = ±0.2 >6~30 = ±0.4 >30~120 = ±0.6 >120~315 = ±1 >315~1000 = ±1.6 ANGLES(角度) = ±5°	CHECKED	 雅鈦企業有限公司 Aec Connectors Co., Ltd.		
-									DRAWN <i>Jim</i>	TITLE BNC FEMALE TO N FEMALE
-							DATE 2007. 09. 26			DRAWING NO. ADT-1228S-BC25DA-NS25DA
-	washer	1	brass	nickel					FILE NO.	DRAWING\RF\ADT\ADT-1228S-BC25DA-NS25DA
-	insulator	1	POM	white						
-	contact pin	1	brass	gold						
-	body	1	brass	nickel						
NO.	Description	Unit	Materials	Finish	Drawing No.	SCALE	2 : 1	UNIT	MM	