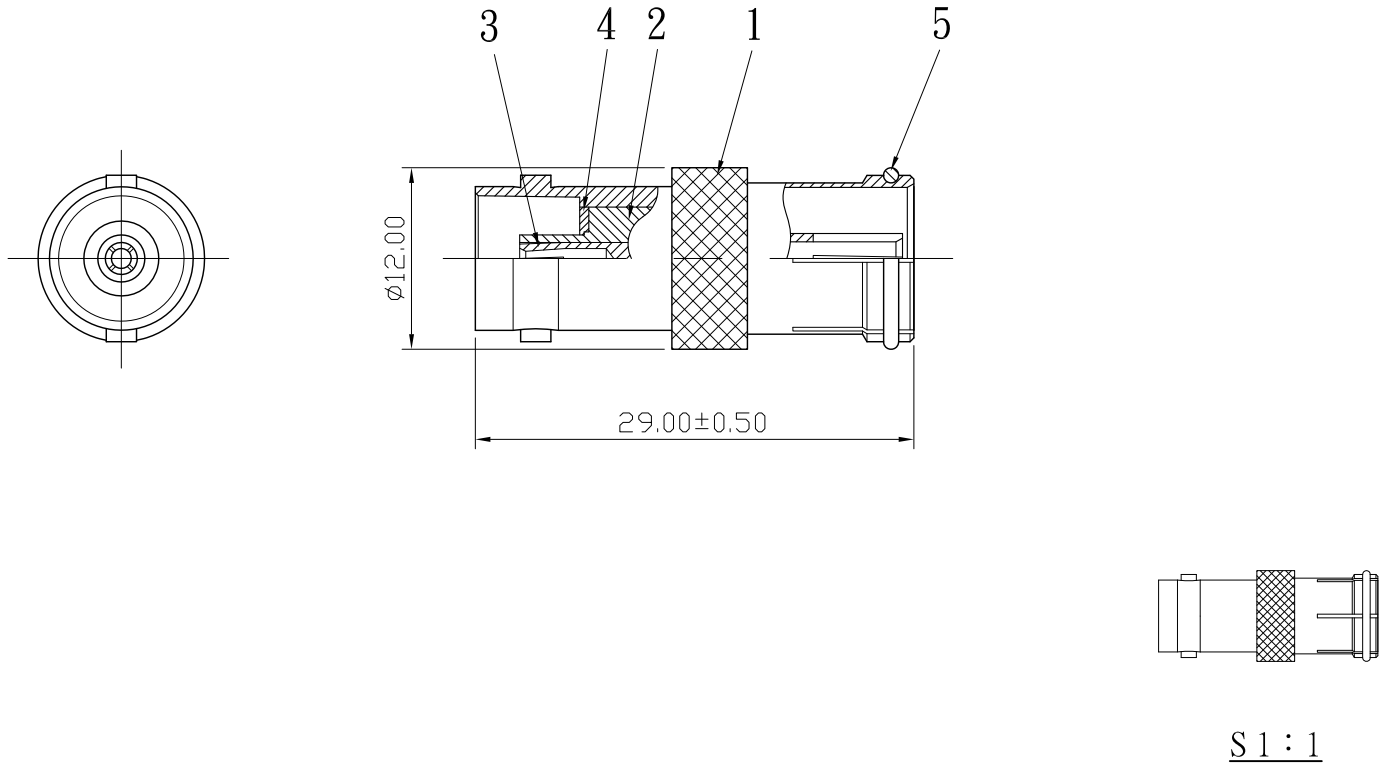



No.	DATE	DESCRIPTION	REV	REMARK : RoHS REQUIREMENT APPLIED (符合RoHS)	DATE	DRAWING NO.
-----	------	-------------	-----	---	------	-------------



7						DIMENSIONS ARE IN MILLIMETERS UNLESS OTHERWISE PECIFIED TOLERANCES (一般公差) 0.5~6 = ±0.2 >6~30 = ±0.4 >30~120 = ±0.6 >120~315 = ±1 >315~1000 = ±1.6 ANGLES(角度) = ±5°	CHECKED	 雅鈦企業有限公司 Aec Connectors Co., Ltd.			
6					DRAWN		TITLE				
5	ring	1	steel	nickel			<i>Lala</i>	BNC FEMALE TO PAL QUICK FEMALE			
4	washer	1	brass	nickel				DRAWING NO.			
3	contact pin	1	brass	nickel				ADT-1230S-BC27DB-PL27DB			
2	insulator	1	delrin	white				FILE NO. DRAWING\RFADT\ADT-1230S-BC27DB-PL27DB			
1	body	1	brass	nickel							
NO.	Description	Unit	Materials	Finish	Drawing No.	SCALE	2 : 1	UNIT	MM	DATE	2009. 10. 13