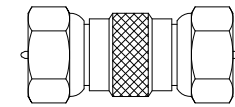
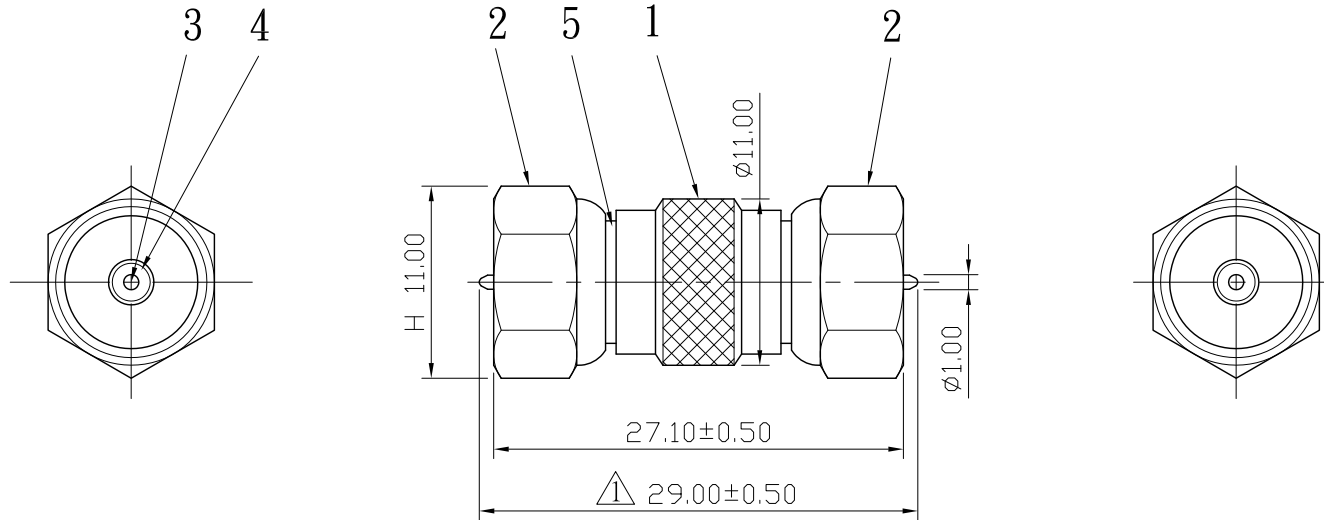



No.	DATE	DESCRIPTION	REV	REMARK : RoHS REQUIREMENT APPLIED (符合RoHS)	DATE	DRAWING NO.
△	2009. 03. 03	Original dimation 28.80±0.50	A		2009. 03. 02	FS-1023NN-DEL(75)



S 1 : 1

7						DIMENSIONS ARE IN MILLIMETERS UNLESS OTHERWISE PECIFIED TOLERANCES (一般公差) 0.5~6 = ±0.2 >6~30 = ±0.4 >30~120 = ±0.6 >120~315 = ±1 >315~1000 = ±1.6 ANGLES(角度) = ±5°	CHECKED	 雅鈦企業有限公司 Aec Connectors Co., Ltd.	
6					DRAWN <i>Lala</i>				TITLE F MALE TO MALE
5	body	1	brass	nickel					DATE 2007. 09. 21
4	insulator	2	delrin	white					FILE NO. DRAWING\RF\ADT\ADT-1501S-FS17DB-FS17DB
3	contact pin	1	brass	nickel					
2	shell	2	brass	nickel					
1	body	1	brass	nickel					
NO.	Description	Unit	Materials	Finish	Drawing No.	SCALE	2 : 1	UNIT	MM