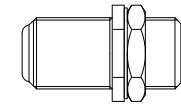
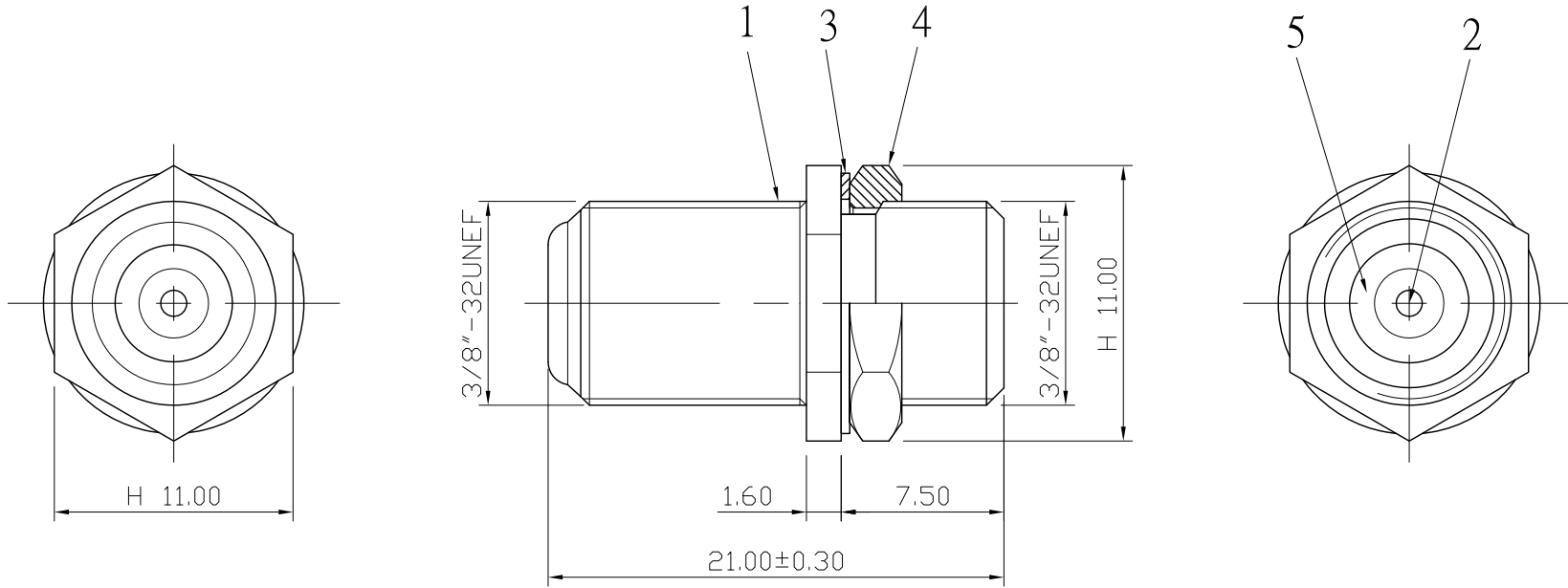



No.	DATE	DESCRIPTION	REV	REMARK : RoHS REQUIREMENT APPLIED (符合RoHS)	DATE	DRAWING NO.
-----	------	-------------	-----	---	------	-------------



S 1 : 1

7						DIMENSIONS ARE IN MILLIMETERS UNLESS OTHERWISE PECIFIED TOLERANCES (一般公差) 0.5~6 = ±0.2 >6~30 = ±0.4 >30~120 = ±0.6 >120~315 = ±1 >315~1000 = ±1.6 ANGLES(角度) = ±5°	CHECKED	 雅鈦企業有限公司 Aec Connectors Co., Ltd.	
6					DRAWN <i>Tina</i>				TITLE F DOUBLE FEMALE(F81)
5	insulator	2	P.P	none					DATE 2010. 10. 14
4	nut	1	brass	nickel					FILE NO. DRAWING\RF\ADT\ADT-1512S-FS27PA-FS27PAA
3	washer	1	steel	nickel					
2	contact pin	1	brass	gold					
1	body	1	brass	nickel					
NO.	Description	Unit	Materials	Finish	Drawing No.	SCALE 3 : 1	UNIT MM		