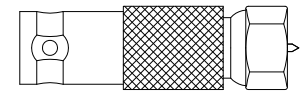
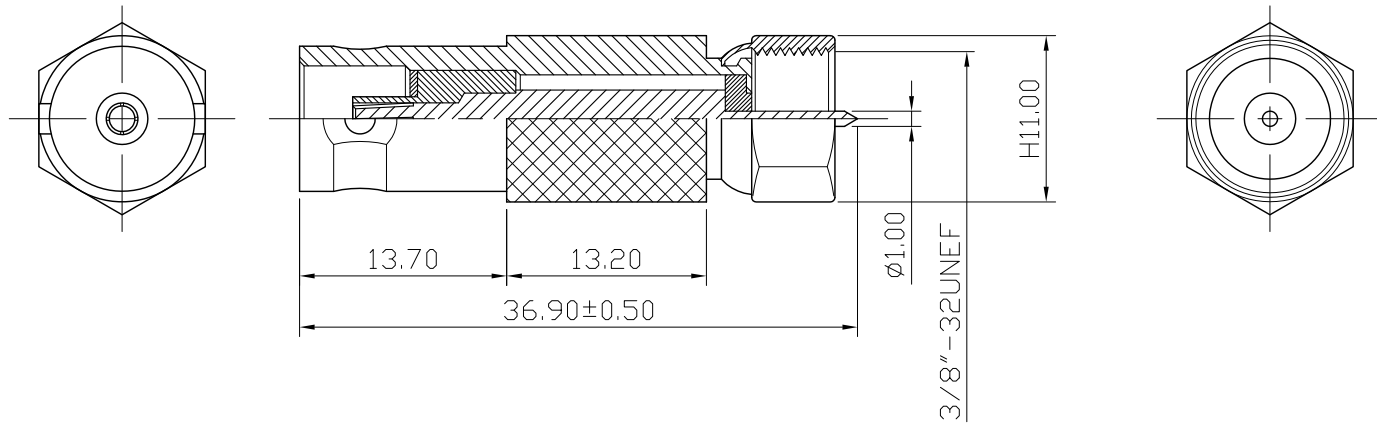



No.	DATE	DESCRIPTION	REV	REMARK : RoHS REQUIREMENT APPLIED (符合RoHS)	DATE	DRAWING NO.
-----	------	-------------	-----	---	------	-------------



S 1 : 1

						DIMENSIONS ARE IN MILLIMETERS  UNLESS OTHERWISE SPECIFIED TOLERANCES (一般公差) 0.5~6 = ±0.2 >6~30 = ±0.4 >30~120 = ±0.6 >120~315 = ±1 >315~1000 = ±1.6 ANGLES(角度) = ±5°	CHECKED	 <b>雅鈦企業有限公司</b> Aec Connectors Co., Ltd.	
-	insulator	1	delrin	white			DRAWN <i>Sabrina</i>		TITLE F MALE TO BNC FEMALE ADAPTER
-	insulator	1	delrin	white					DATE 2011. 05. 20
-	washer	1	brass	nickel				FILE NO. DARWINGRFVADTVADT-1515S-FS17DA-BC27DA	
-	pin	1	brass	glod					
-	body	1	brass	nickel					
-	shell	1	brass	nickel					
NO.	Description	Unit	Materials	Finish	Drawing No.	SCALE	2:1	UNIT	MM