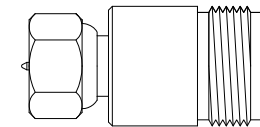
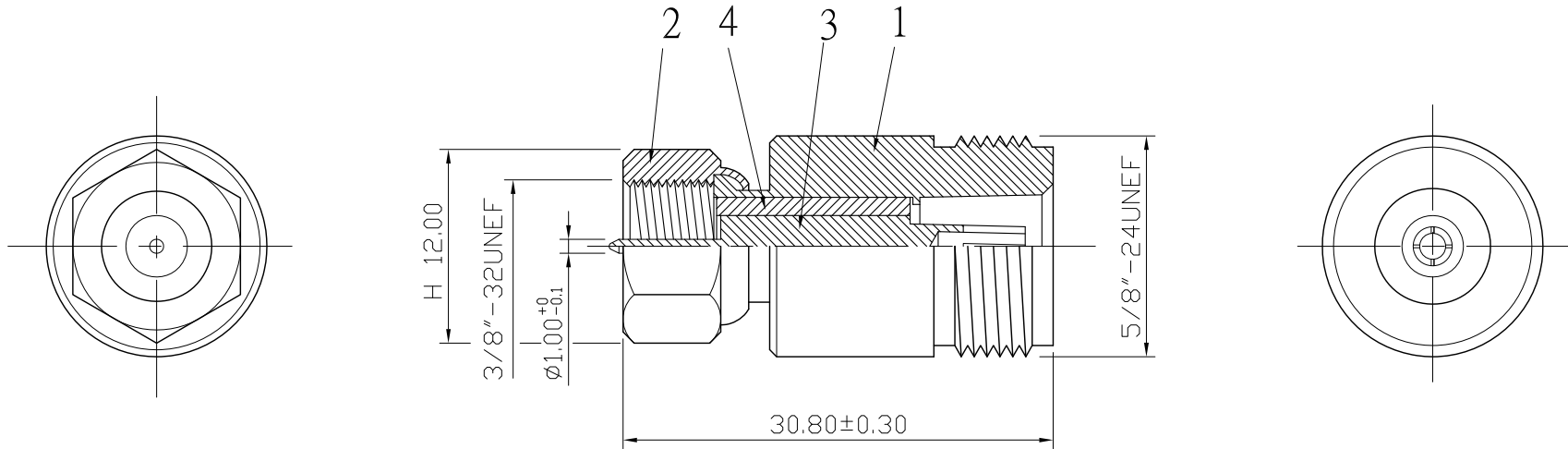



No.	DATE	DESCRIPTION	REV	REMARK : RoHS REQUIREMENT APPLIED (符合RoHS)	DATE	DRAWING NO.
-----	------	-------------	-----	---	------	-------------



S 1 : 1

7						DIMENSIONS ARE IN MILLIMETERS  UNLESS OTHERWISE PECIFIED TOLERANCES (一般公差) 0.5~6 = ±0.2 >6~30 = ±0.4 >30~120 = ±0.6 >120~315 = ±1 >315~1000 = ±1.6 ANGLES(角度) = ±5°	CHECKED	 雅鈦企業有限公司 Aec Connectors Co., Ltd.	
6					DRAWN		TITLE		
5					<i>Lala</i>		F MALE TO N FEMALE		
4	insulator	1	PTFE	white			DATE	DRAWING NO.	
3	contact pin	1	brass	gold			2007. 10. 18	ADT-1516S-FS17TA-NS27TA	
2	shell	1	brass	nickel				FILE NO. DRAWING\RF\ADT\ADT-1516S-FS17TA-NS27TA	
1	body	1	brass	nickel					
NO.	Description	Unit	Materials	Finish	Drawing No.	SCALE	2 : 1	UNIT	MM