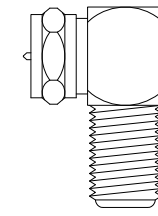
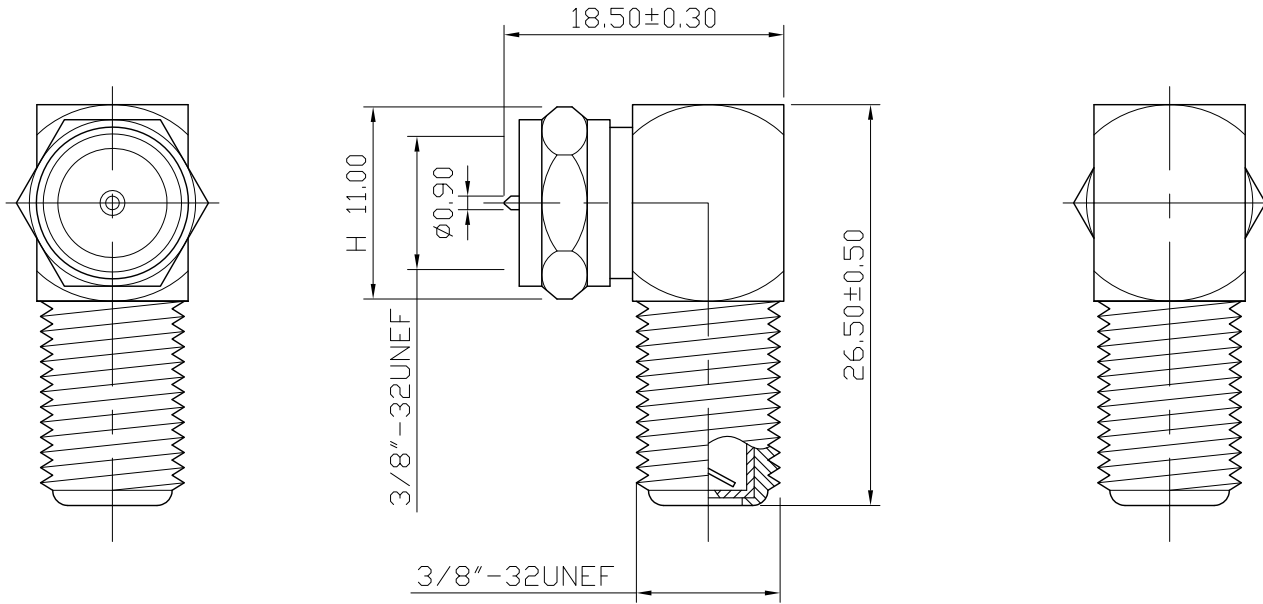



No.	DATE	DESCRIPTION	REV	REMARK : RoHS REQUIREMENT APPLIED (符合RoHS)	DATE	DRAWING NO.
					2008. 07. 17	FS-1049NN-R-DEL+P.P(75)



S 1 : 1

-						DIMENSIONS ARE IN MILLIMETERS UNLESS OTHERWISE PECIFIED TOLERANCES (一般公差) 0.5~6 = ±0.2 >6~30 = ±0.4 >30~120 = ±0.6 >120~315 = ±1 >315~1000 = ±1.6 ANGLES(角度) = ±5°	CHECKED	 雅鈦企業有限公司 Aec Connectors Co., Ltd.	
-	shell	1	brass	nickel			DRAWN <i>Jim</i>		TITLE RIGHT ANGLE F MALE TO F FEMALE
-	contact pin	1	brass	nickel					DATE 2007. 12. 28
-	contact pin	1	phosphor bronze	tin				FILE NO.	DRAWING\RF\ADT\ADT-1529R-FS17DB-FS27PC
-	insulator	1	POM	white					
-	insulator	2	P.P	white					
-	body	1	brass	nickel					
NO.	Description	Unit	Materials	Finish	Drawing No.	SCALE	2 : 1	UNIT	MM