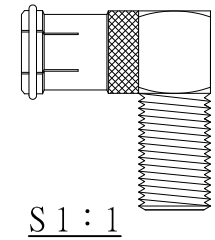
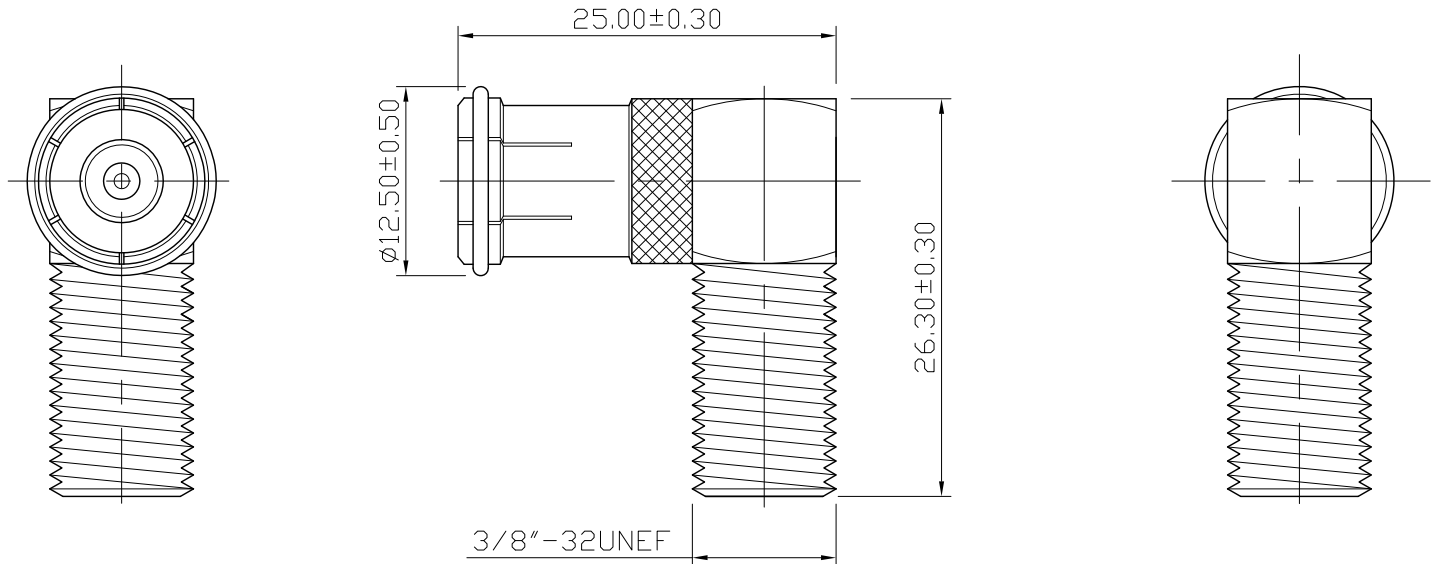



No.	DATE	DESCRIPTION	REV	REMARK : RoHS REQUIREMENT APPLIED (符合RoHS)	DATE	DRAWING NO.
-----	------	-------------	-----	---	------	-------------



-					DIMENSIONS ARE IN MILLIMETERS UNLESS OTHERWISE PECIFIED TOLERANCES (一般公差) 0.5~6 = ±0.2 >6~30 = ±0.4 >30~120 = ±0.6 >120~315 = ±1 >315~1000 = ±1.6 ANGLES(角度) = ±5°	CHECKED	 雅鈦企業有限公司 Aec Connectors Co., Ltd.		
-	spring	1	steel	nickel		DRAWN <i>Lala</i>		TITLE RIGHT ANGLE F QUICK MALE TO F FEMALE	
-	contact pin	1	brass	tin				DATE 2009. 02. 16	DRAWING NO. ADT-1530R-FS17TA-FS27PC
-	contact pin	1	brass	gold			FILE NO. DRAWING\RF\ADT\ADT-1530R-FS17TA-FS27PC		
-	insulator	1	PTFE	white					
-	insulator	1	P.P	none					
-	body	1	brass	nickel					
NO.	Description	Unit	Materials	Finish	Drawing No.	SCALE	2 : 1	UNIT	MM