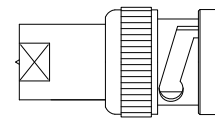
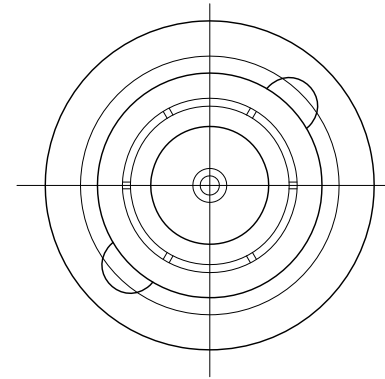
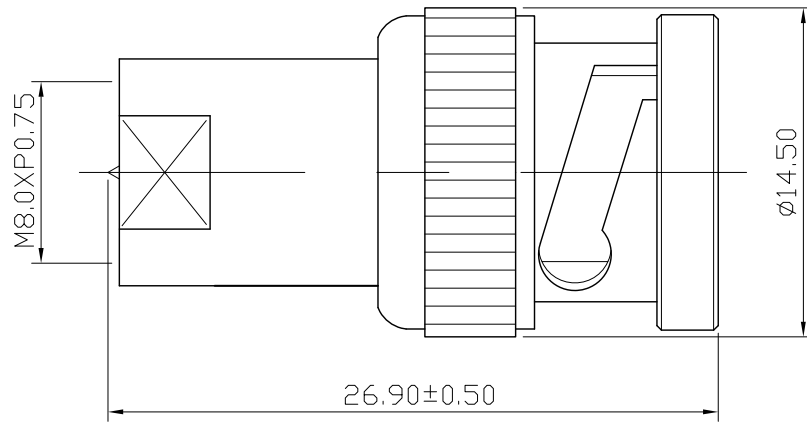


No.	DATE	DESCRIPTION	REV	REMARK : RoHS REQUIREMENT APPLIED (符合RoHS)	DATE	DRAWING NO.
-----	------	-------------	-----	---	------	-------------




S 1 : 1

-	insulator	1	delrin	white	
-	body	1	brass	nickel	
-	contact pin	1	brass	gold	
-	washer	1	steel	nickel	
-	spring	1	sk-5	nickel	
-	washer	1	steel	nickel	
-	gasket	1	rubber	red	
-	insulator	1	delrin	white	
-	shell	1	brass	nickel	
NO.	Description	Unit	Materials	Finish	Drawing No.

DIMENSIONS ARE IN MILLIMETERS  
UNLESS OTHERWISE SPECIFIED  
TOLERANCES  
(一般公差)  
0.5~6 = ±0.2  
>6~30 = ±0.4  
>30~120 = ±0.6  
>120~315 = ±1  
>315~1000 = ±1.6  
ANGLES(角度) = ±5°

SCALE 3 : 1 UNIT MM

CHECKED  
  
DRAWN  
*Lala*  
DATE  
2008. 09. 16

 雅鈦企業有限公司  
Aec Connectors Co., Ltd.

TITLE  
FME MALE TO BNC MALE

DRAWING NO.  
ADT-1403S-FE15DA-BC15DA

FILE NO. DRAWINGRFADTADT-1403S-FE15DA-BC15DA